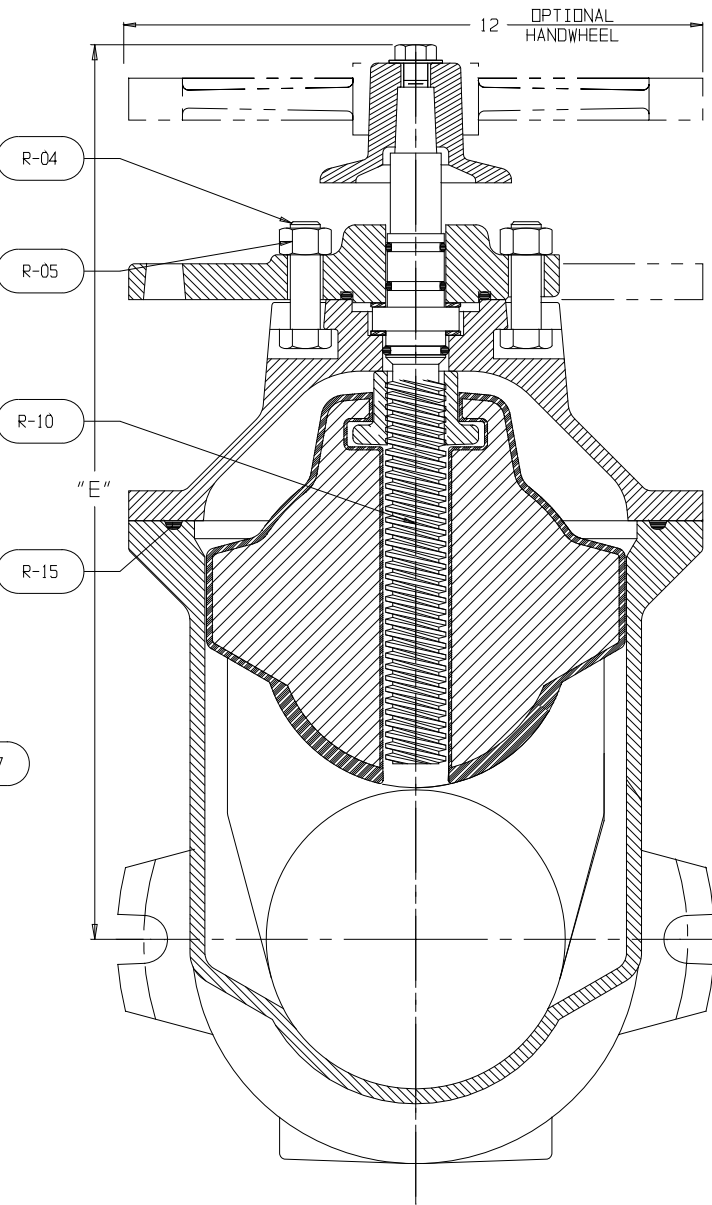


NO.	Date	ECN	REVISION
5	01/08	BMC/487	Was 316SS, Now 304SS
4	6/00	-	Removed 2.5 & 3" sizes, clarified dims and pressure ratings
3	1/99	-	Epoxy Replaces TGIC Polyester
2	1/95	-	Drawing Updated to Show 3'd O-Ring Below Collar
1	nn/yy	ECN	description

AWWA  
MEETS AWWA C509  
250 PSIG-COLD WATER NON SHOCK

FOR DIMENSIONS OF OTHER END CONFIGURATIONS SEE KENNEDY VALVE CATALOG



ITEM	DESCRIPTION	# REQ'D	MATERIAL
R-1	HEX. HEAD BOLT	1	ZINC PLATED STEEL
R-2	FLAT WASHER	1	ZINC PLATED STEEL
R-3	OPERATING NUT	1	CAST IRON ASTM A-126 CLASS B
R-3	HANDWHEEL	1	CAST IRON ASTM A-126 CLASS B
R-4	STUFFING BOX BOLTS	2	18-8 STAINLESS STEEL
R-5	HEX. NUTS	2	18-8 STAINLESS STEEL
R-6	STUFFING BOX	1	CAST IRON ASTM A-126 CLASS B
R-7	"O" RING (STEM)	3	BUNA-N
R-8	"O"-RING (ST. BOX)	1	BUNA-N
R-9	THRUST WASHER	1	2" & 2.5" DELRIN
		2	3" - 12"
R-10	STEM	1	BRONZE ASTM B-584 C86700 or NDZ BRONZE ASTM B763 C99500 or 304 STAINLESS STEEL
R-11	HEX. HEAD BOLTS		18-8 STAINLESS STEEL
R-12	HEX. NUTS		18-8 STAINLESS STEEL
R-13	COVER	1	CAST IRON ASTM A-126 CLASS B
R-14	STEM NUT	1	BRONZE ASTM B-763 C99500
R-15	"O"-RING (COVER)	1	BUNA-N
R-16	WEDGE DISC	1	DUCTILE IRON ASTM A536 70-50-5
			EPDM RESILIENT MOLDED WEDGE
R-17	BODY	1	CAST IRON ASTM A-126 CLASS B
R-18	(OPTIONAL) POST ADAPTOR PLATE	1	CAST IRON ASTM A-126 CLASS B

COATING: EPOXY (HEAT FUSED)  
TO MEET APPLICATION & PERFORMANCE REQUIREMENTS AWWA C550 TO HAVE BEEN TESTED & ACCEPTED BY UL/FM

BOLTS (Standard) GRADE 2 TO MEET ASTM A307



Nominal Size	Clear Dia H	No. of Turns to Open	Valve Dimensions				PUSH ON DIMENSIONS PER INDUSTRY STANDARDS				
			A	C	E	GØ	DØ	No of Slots ea End	-	-	Weight lb
4	4.25"	13	11.00"	3.22"	14.75"	10.00"	6.75"	2	-	-	87
6	6.25"	19	12.00"	3.38"	19.00"	12.00"	9.38"	2	-	-	146
8	8.25"	25	13.00"	3.69"	22.50"	14.00"	11.75"	2	-	-	215
10	10.25"	31	14.00"	3.50"	26.5"	18.00"	14.00"	4	-	-	348
12	12.25"	37	16.00"	3.75"	30.00"	18.00"	16.00"	4	-	-	520

FIG 8901 PUSH ON X PUSH ON SHOWN WITH STD. O-RING STUFFING BOX FIG 8901P WITH OPTIONAL INDICATOR POST PLATE

KENNEDY VALVE  
ELMIRA, N.Y. 14901

2" THRU 12" KS-FW  
PUSH ON NRS ASSEMBLY

FILE PATH DRAFT-GATE

Drawn by: SJH

ISSUED 2/92

DWG NO.

81108PO

Revision 05

\* HALF SCALE OF A 6" VALVE SHOWN