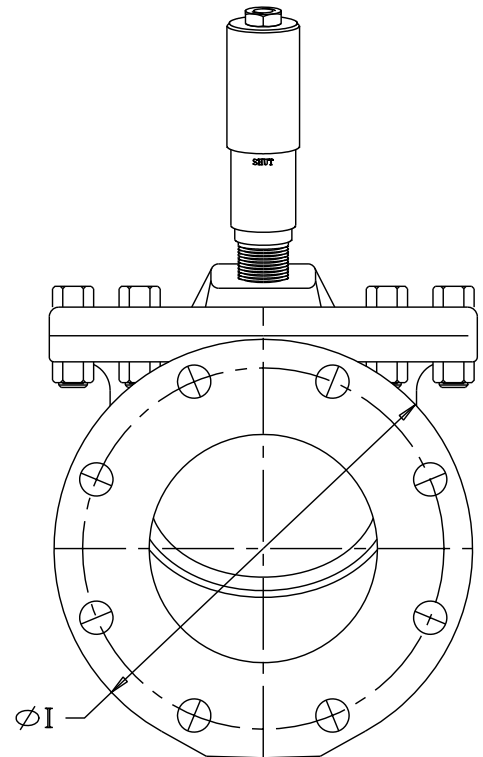
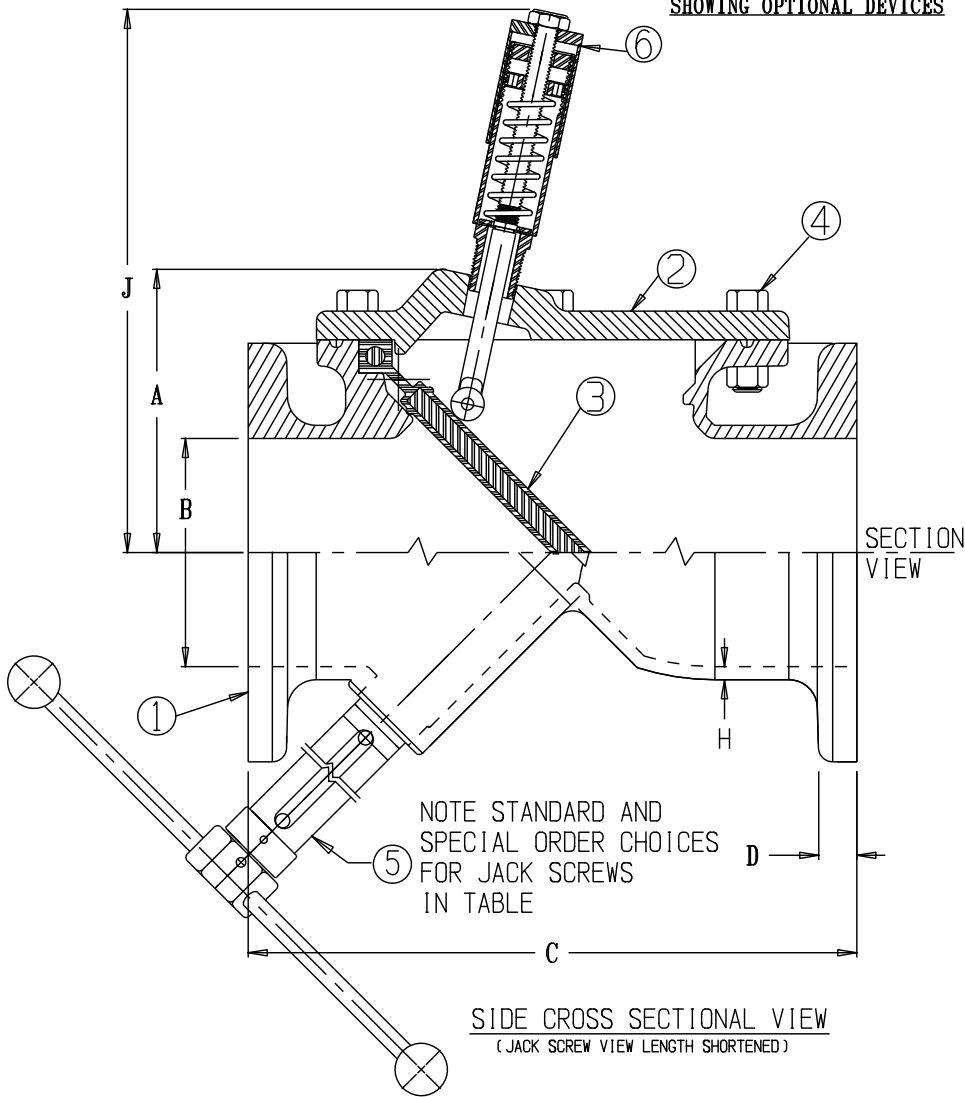


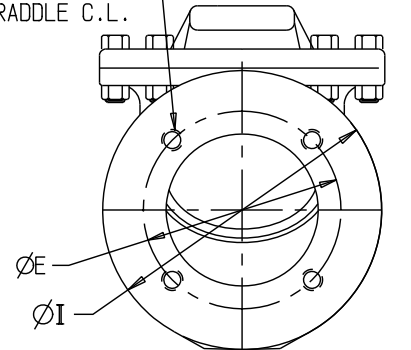
KENFLEX RESILENT HINGED CHECK VALVE

SHOWING OPTIONAL DEVICES



E - BOLT CIRCLE DIA. END FLANGE
 F - NUMBER OF BOLTS REQ'D EACH END FLANGE
 G - BOLT HOLE DIAMETER FOR END FLANGE
 END FLANGES CONFORM TO ANSI B16.1

3" VALVE ONLY
 (4) 0.625UNC-11-2B
 HOLE LOCATED AS SHOWN
 STRADDLE C.L.



SIZE	A (approx)	Ø B	C	D (nom.)	Ø E	F	Ø G (TAP SEE ABOVE)	H (nom.)	I	J (approx)
3	5.37	4.00	13	1.00	6.00	4		0.31	9.0	12.21
4	5.37	4.00	13	1.00	7.50	8		0.31	9.0	12.21
6	7.45	6.00	16	1.06	9.50	8		0.34	11.0	14.28
8	8.77	8.00	19.5	1.19	11.75	8		0.34	13.5	15.61
10	10.20	10.00	24.5	1.25	14.25	12		0.38	16.0	17.04
12	11.61	12.00	27.5	1.28	17.00	12		0.41	19.0	18.45

PART NO.	NO. REQ'D	PART	MATERIAL
1	1	BODY	DUCTILE IRON, COATED
2	1	COVER PLATE	DUCTILE IRON, COATED
3	1	FLAPPER	EPDM FLAPPER, MET. INSERT
4	Varies	COVER BOLTS AND NUTS	STEEL (STANDARD)
1	1	STANDARD - BACK FLOW JACK SUBASSEMBLY	PAINTED STEEL EXTERIOR COMPONENTS
2		SPECIAL ORDER - BACK FLOW JACK SUBASSEMBLY	STAINLESS STEEL
3	1	OPTIONAL-POSITION INDICATOR SUBASSEMBLY	STAINLESS STEEL EXT. COMPONENTS

1 STANDARD JACK SCREWS; 4" --> 448004P, 6/8" --> 448006P, 10/12" --> 448010P
 2 SPECIAL ORDER JACK SCREWS; 4" --> 448104P, 6/8" --> 448106P, 10/12" --> 448110P
 3 POSITION INDICATOR --> 448100P