



KENNEDY CHECK VALVES

It is generally recommended, that when using Kennedy swing check valves, that you locate the valve at least 5 to 10 pipe diameters down stream from any flow disturbance or obstruction (valve, pump, elbow, reducer, etc.). Turbulence close to the check valve may result in valve "chatter" resulting in premature failure of the check valve.

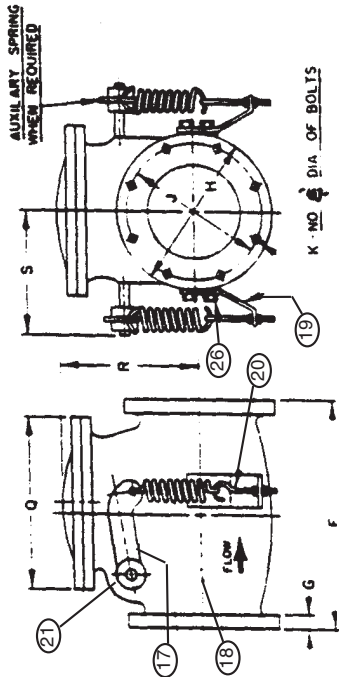
As stated in AWWA C508, "Conditions of water hammer, hydraulic pulsation, and excessive operating noise are results of system design rather than valve design and are beyond the scope of this standard and require special design and construction considerations."



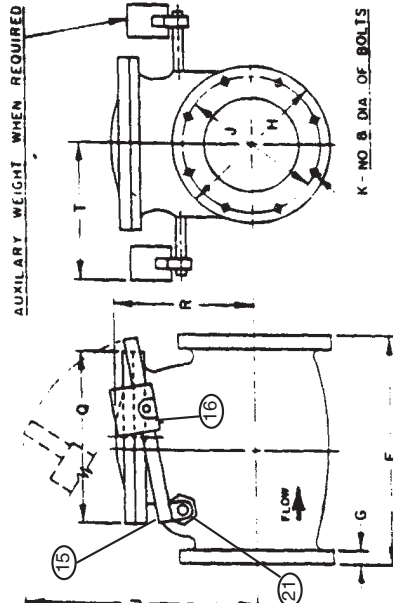
Note Regarding 14"-36" Check Valves:

Prior to 2014, Kennedy Valve supplied full-wall check valves as our standard on 14"-30" Valves. Throughout 2014, we transitioned to the reduced-wall ductile iron check valves as our new standard. Please be aware that this move has changed the flange-to-flange lay length in most cases. The 36" Check Valve is only available as a reduced-wall ductile iron valve. Please contact our sales staff for further information on these valves or if you are working on a project that has specific domestic requirements. Please scroll down for more information on the reduced-wall body check valves.

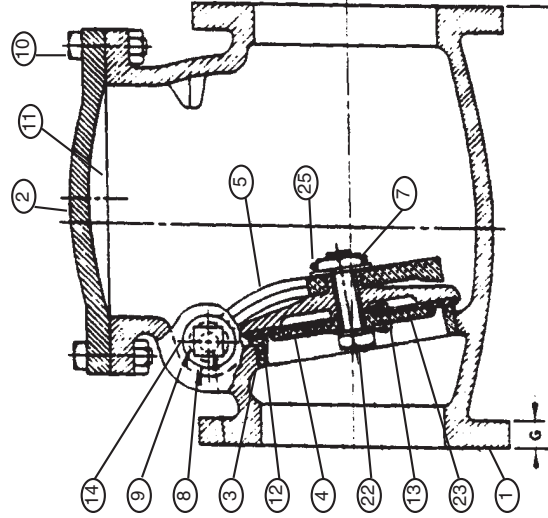
DIMENSION IN INCHES	
VALVE SIZE	
F	14
G	30
H	1 1/4
J	18 3/4
K	12-1
Q	23 1/2
R	18 1/4
S	15 1/2
T	17
U	32 1/2



SPRING AND LEVER CHECK VALVE
STYLE NO. 259-02/106ALS



LEVER AND WEIGHT CHECK VALVE
STYLE NO. 159-02/106ALW



F
PLAIN CHECK VALVE
14"
STYLE NO. 59-02/106A

- NOTES:**
- 1 A 126 CL B CAST IRON
 - 2 WEIGHT LEVER ARM ON 14" VALVE SIFTT
 - 3 A 126 CL B CAST IRON
 - 4 ALL STEEL BOLTS & NUTS ARE ELECTRO ZINC PLATED

PART NO.	NO. REQ'D	PART	MATERIAL	A.S.T.M. SPEC. NO.
1	1	Body	Cast Iron	A-126 CL B
2	1	Cover	Cast Iron	A-126 CL B
3	1	Body Ring	Bronze	CDA84400
4	1	Clapper ¹	See Note No. 1	
5	1	Clapper Arm	Bronze	B-132
6	1	Clapper Stud	Bronze	B-21
7	Varies	Clapper Nut	Bronze	CDA84400
8	1	Hinge Pin	Stn Stl.	A-276-303
9	2	Side Plug (Plain Valve)	Bronze	CDA84400
10	Varies	Cover Bolts & Nuts	Steel	A-307GR B
11	1	Cover Gasket	Non-Asbestos	—
12	1	Clapper Ring	Neoprene	—
13	2	Gasket	Copper Non-Asbestos	—
14	2	Side Plug Gasket	Copper Non-Asbestos	—
15	1	Weight Lever Arm ²	Cast Iron	A-126 CL B
16	1	Weight	Cast Iron	A-126 CL B
17	1	Spring Lever Arm ³	See Note No. 3	—
18	1	Spring	Steel	—
19	1	Spring Bracket	Steel	—
20	1	Spring Eyebolt	Steel	A-307GR B
21	2	Stuffing Box Assembly	Bronze	CDA84400
22	1	Capscrew Bolt	Bronze	B-21
23	1	Clamping Ring	Bronze	CDA84400
24	1	Lock Washer	Steel	—
25	Varies	Cutter Pin	Bronze	—
26	2	Spring Bracket Cap Screw	Steel	A-307GR B
27	2	"O" Ring Side Plug	Bronze	CDA84400
28	2	"O" Ring	Rubber	—

14"
 150 PSI
 300 PSI

WATER WORKING PRESSURE
 HYDROSTATIC TEST PRESSURE

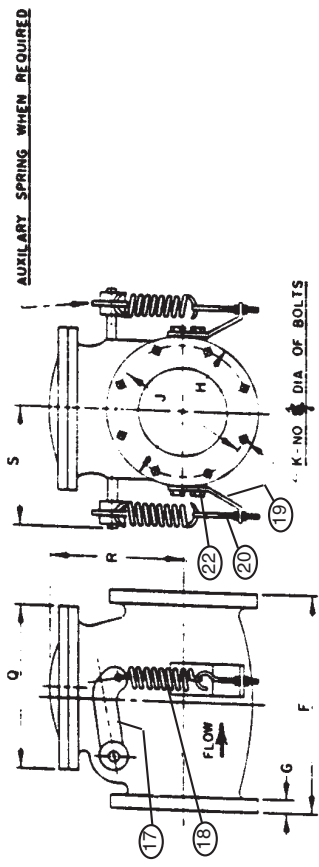
14" SWING CHECK VALVE-RUBBER FACED-
 FLANGED END

DRAWN BY KM
 CHECKED
 APPROVED

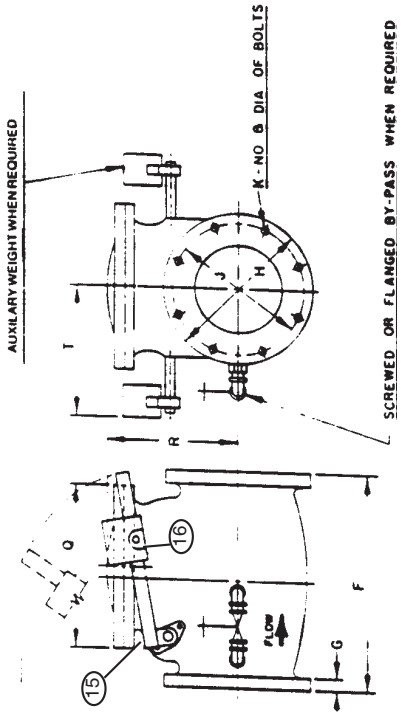
Kennedy Valve

DATE 2/28/74
 SCALE NONE
 DWG NO. 11802
 REV.

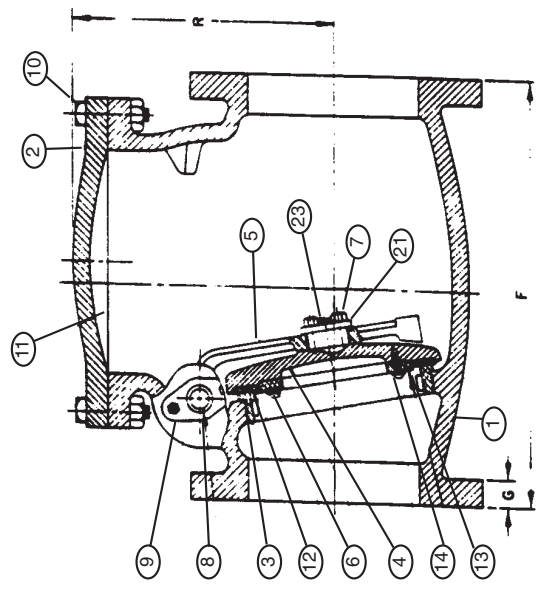
PART NO.	NO. REQ'D	PART	MATERIAL	A. S. T. M. SPEC. NO.
1	1	Body	Cast Iron	A-126 CL B
2	1	Cover	Cast Iron	A-126 CL B
3	1	Body Ring	Bronze	CDA84400
4	1	Clapper	Cast Iron	A-126 CL B
5	1	Clapper Arm	Bronze	CDA86400
6	Varies	Lockwasher	Steel	—
7	Varies	Capscrew	Bronze	B-21
8	1	Hinge Pin	Stn. Sli.	A-276-303
9	2	Gland (Bronze Bushed)	Cast Iron	A-126CL. B
10	Varies	Cover Bolt and Nuts	Steel	A-307GR B
11	1	Cover Gasket	Non-Asbestos	—
12	1	Clapper Ring	Neoprene	—
13	1	Ring Clamp	Bronze	CDA84400
14	Varies	Ring Clamp Capscrew	Bronze	B-21
15	1	Weight Lever Arm	Bronze	B-62
16	1	Weight	Cast Iron	A-126CL. B
17	1	Spring Lever Arm	Bronze	B-62
18	1	Spring	Steel	—
19	1	Spring Bracket	Steel	—
20	1	Spring Eyebolt	Steel	A-307GR.B
21	1	Cap Plate	Cast Iron	A-126CL. B
22	Varies	Spring Bracket Capscrew	Steel	A-307GR B
23	1	Lockwire	Copper	B3-74



SPRING AND LEVER CHECK VALVE
STYLE NO. 259-02/106LS



LEVER AND WEIGHT CHECK VALVE
STYLE NO. 159-02/106LW



PLAIN CHECK VALVE
STYLE NO. 59-02/106

DIMENSIONS IN INCHES					
VALVE SIZE	16	18	20	24	30
E	25 ³ / ₈	—	—	—	—
F	35	36 ¹ / ₂	37 ⁵ / ₈	44	49 ¹ / ₂
G	1 ⁷ / ₁₆	1 ⁹ / ₁₆	1 ¹¹ / ₁₆	1 ⁷ / ₈	2 ¹ / ₈
H	23 ¹ / ₂	25	27 ¹ / ₂	32	38 ³ / ₄
J	21 ¹ / ₄	22 ³ / ₄	25	29 ¹ / ₂	36
K	16-1	16-1 ¹ / ₈	20-1 ¹ / ₈	20-1 ¹ / ₄	28-1 ¹ / ₄
Q	27 ¹ / ₂	27 ¹ / ₂	32	38 ³ / ₄	43 ³ / ₄
R	23	25	24 ¹ / ₂	28	32 ¹ / ₈
SPRING & LEVER VALVES					
S	17 ³ / ₄	18 ⁵ / ₈	20	22 ¹ / ₂	25 ¹ / ₈
LEVER & WEIGHT VALVES					
T	19 ¹ / ₂	21	22 ³ / ₈	28 ¹ / ₂	30 ⁵ / ₈
U	34 ¹ / ₂	40	42	54 ¹ / ₂	57 ¹ / ₂

150 LBS.—WATERWORKING PRESSURE
300 LBS.—HYDROSTATIC TEST PRESSURE

16"-30" SWING CHECK VALVE-RUBBER FACED-FLANGED END

Kennedy Valve

DRAWN BY: KJM DATE: 10/22/73
CHECKED: SCALE: NONE
APPROVED: DWG NO. 11804
REV. NO. 11804