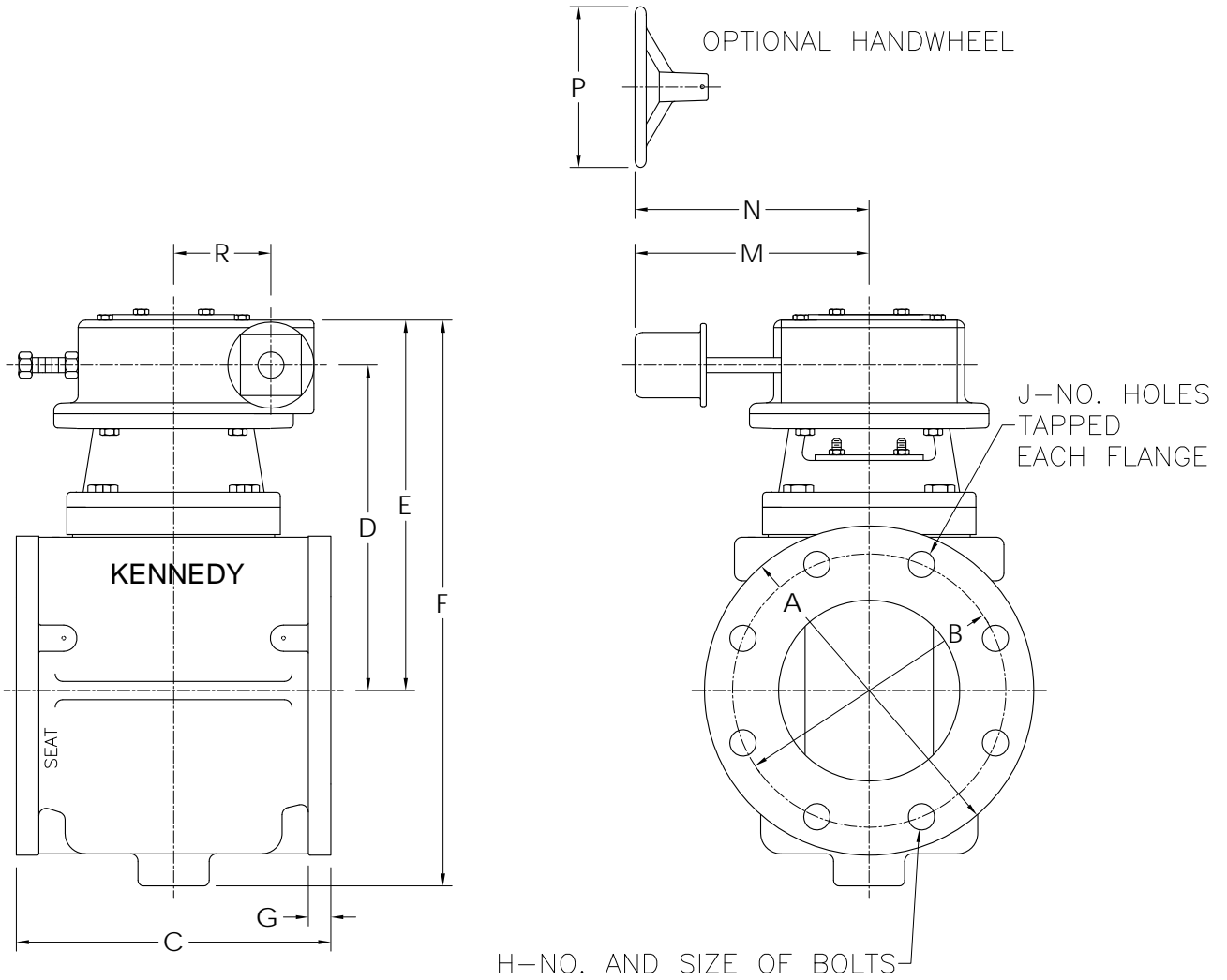


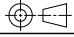

VALVE SIZE	A	B	C	D	E	F	G	H	J	WEIGHT* 2" NUT
3"	7 1/2	6	8	3 15/32	6 3/4	11	3/4	4-5/8	0	40
4"	9	7 1/2	9	4 7/16	11	16 3/8	15/16	8-5/8	4	68
6"	11	9	10 1/2	6 1/8	14 1/2	21	1	8-3/4	2	110
8"	13 1/2	11 3/4	11 1/2	7 5/8	16	24 1/4	1 1/8	8-3/4	4	176

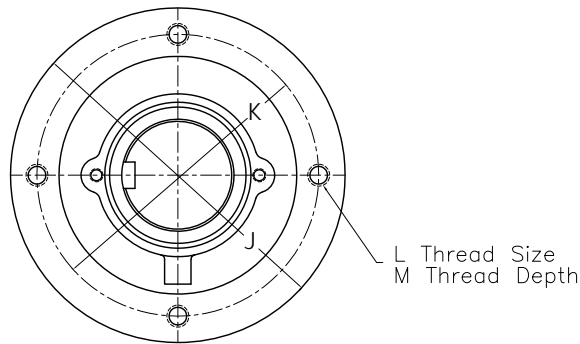
NOTE: 2" SQUARE OP-NUT ACCEPTS STANDARD 2" LEVER/WRENCH

	NAME	DATE	<b>KENNEDY VALVE</b> Division of McWane, Inc. 1021 EAST WATER STREET ELMIRA, NEW YORK 14901	
	DRAWN	DB		9/27/17
	CHECKED	-		-
APPROVED	-	-	TITLE: 3" - 8" ECCENTRIC PLUG VALVE 80% PORT ( GLOBALLY SOURCED ) MODEL 5412 - FLG x FLG - MANUAL W/2" SQ NUT ( GENERAL DIMENSIONS )	
DO NOT SCALE DRAWING				
MATERIAL:			SIZE PART NO. DWG. NO. REV <b>A</b> - CAT910043A 2	
Weight:				
PROPRIETARY AND CONFIDENTIAL THE INFORMATION CONTAINED IS THE SOLE PROPERTY OF KENNEDY VALVE CO. ANY REPRODUCTION IN PART OR AS A WHOLE WITHOUT THE WRITTEN PERMISSION OF KENNEDY VALVE CO. IS PROHIBITED. DESIGN & INVENTION RIGHTS RESERVED.			SHEET 1 OF 1	

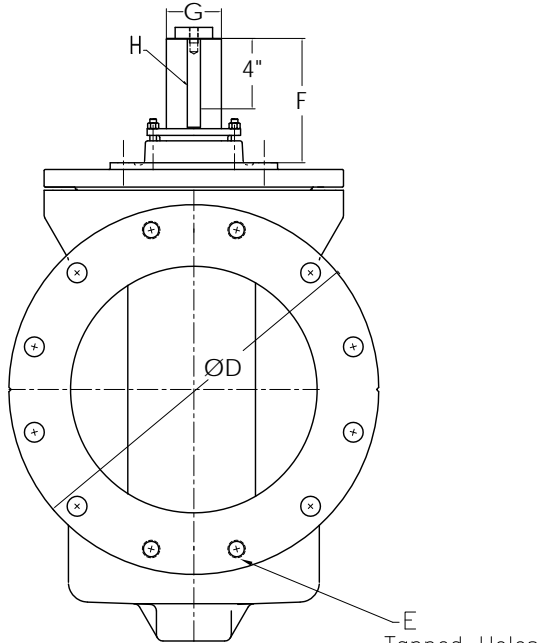
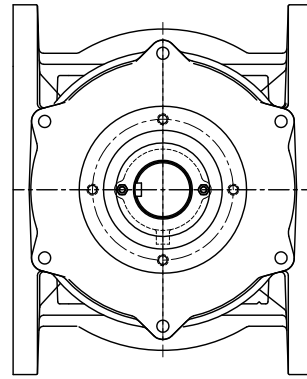


VALVE SIZE	A	B	C	D	E	F	G	H	J	M	N	P	R	WEIGHT	
4"	9	7 1/2	9	8 1/4	9 1/2	15	1	8-5/8	4	10 1/4	12	8	2 3/4	113	JPM12
6"	11	9 1/2	10 1/2	10 3/4	12	18 1/2	1 1/16	8-3/4	2	10 1/4	12	12	2 3/4	155	JPM12
8"	13 1/2	11 3/4	11 1/2	12 1/4	13 1/2	21 3/4	1 3/16	8-3/4	4	10 1/4	12, 13	18	2 3/4	223	JPM12
10"	16	14 1/4	13	14 3/4	16 7/16	26 3/4	1 1/4	12-7/8	4	10 5/8	13, 14	24	3 15/16	315	JPM14
12"	19	17	14	16 1/4	18	30 1/4	1 1/4	12-7/8	4	10 5/8	13, 14	24	3 15/16	420	JPM14
14"	21	18 3/4	17	19	20 3/4	35	1 3/8	12-1	4	15 3/4	18	30	9 1/2	740	JPM15
16"	23 1/2	21 1/4	17 3/4	20 3/4	22 7/16	38	1 7/16	16-1	6	15 3/4	19	30	9 1/2	905	JPM15
18"	25	22 3/4	21 1/2	22 1/4	24	41	1 9/16	16-1 1/8	8	15 3/4	19	30	9 1/2	1155	IW6R
20"	27 1/2	25	23 1/2	23 3/4	25 1/2	45 1/2	1 11/16	20-1 1/8	12	15 3/4	19	36	9 1/2	1425	IW6R
24"	32	29 1/2	30	25 1/4	26 15/16	50	1 7/8	20-1 1/4	8	15 3/4	19	36	9 1/2	2105	IW6R

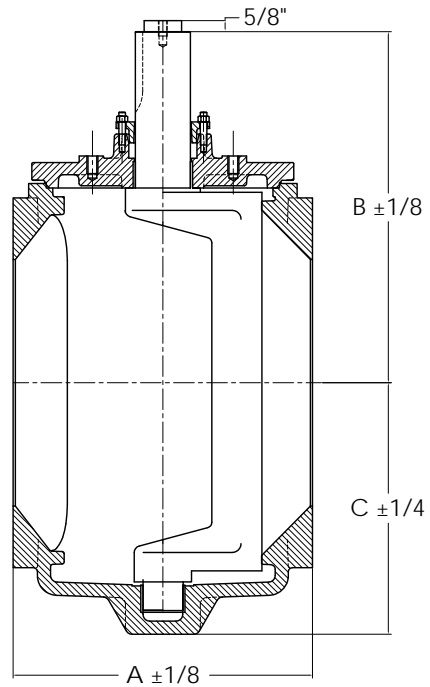
	NAME	DATE		<b>KENNEDY VALVE</b>		
DRAWN	DB	9/27/17		Division of McWane, Inc.		
CHECKED	-	-		1021 EAST WATER STREET ELMIRA, NEW YORK 14901		
APPROVED	-	-		TITLE: 4" - 24" ECCENTRIC PLUG VALVE		
DO NOT SCALE DRAWING			80% PORT ( GLOBALLY SOURCED )			
MATERIAL:			MODEL 5412 - FLG x FLG - WORM GEAR			
Weight:			( GENERAL DIMENSIONS )			
		SIZE	PART NO.	DWG. NO.	REV	
		A	-	CAT910016A	2	
PROPRIETARY AND CONFIDENTIAL						
THE INFORMATION CONTAINED IS THE SOLE PROPERTY OF KENNEDY VALVE CO. ANY REPRODUCTION IN PART OR AS A WHOLE WITHOUT THE WRITTEN PERMISSION OF KENNEDY VALVE CO. IS PROHIBITED. DESIGN & INVENTION RIGHTS RESERVED.					SHEET 1 OF 1	



Actuator Mounting Dimensions



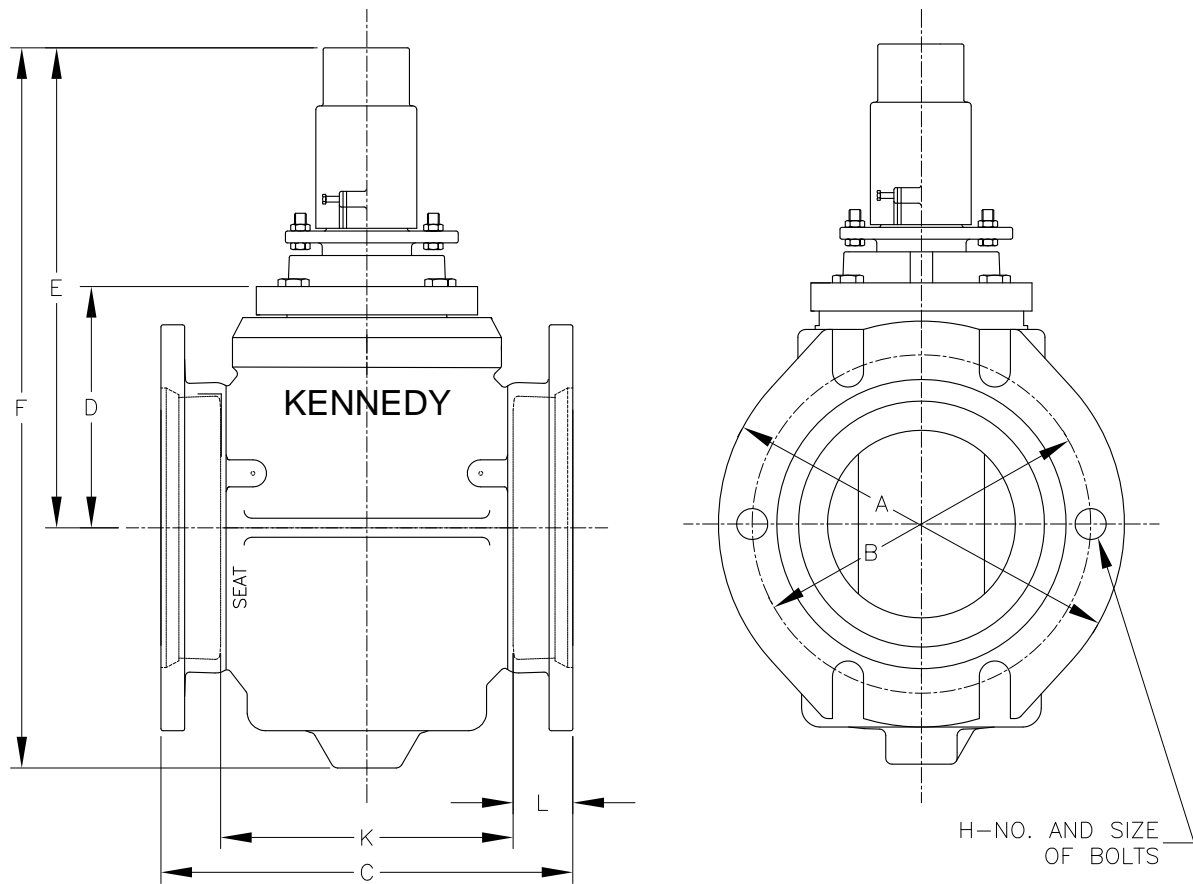
End Flange Dimension Conform to ANSI B16.1



Valve Size	A	B	C	D	E	F	G	H	J	K	L	M	*WEIGHT
14	17.00	19.69	14.31	21.00	4	6.81	3.121	.75 sq	9.50	8.00	5/8-11	7/8	750
16	17.75	20.88	15.75	23.50	6	6.81	3.121	.75 sq	9.50	8.00	5/8-11	7/8	900
18	21.50	22.94	17.18	25.00	8	6.81	3.121	.75 sq	9.50	8.00	5/8-11	7/8	1150
20	23.50	24.22	20.00	27.50	8	6.81	3.121	.75 sq	9.50	8.00	5/8-11	7/8	1420
24	30.00	25.28	22.94	32.00	8	6.18	3.750	.875 sq	11.00	9.00	3/4-10	7/8	2100

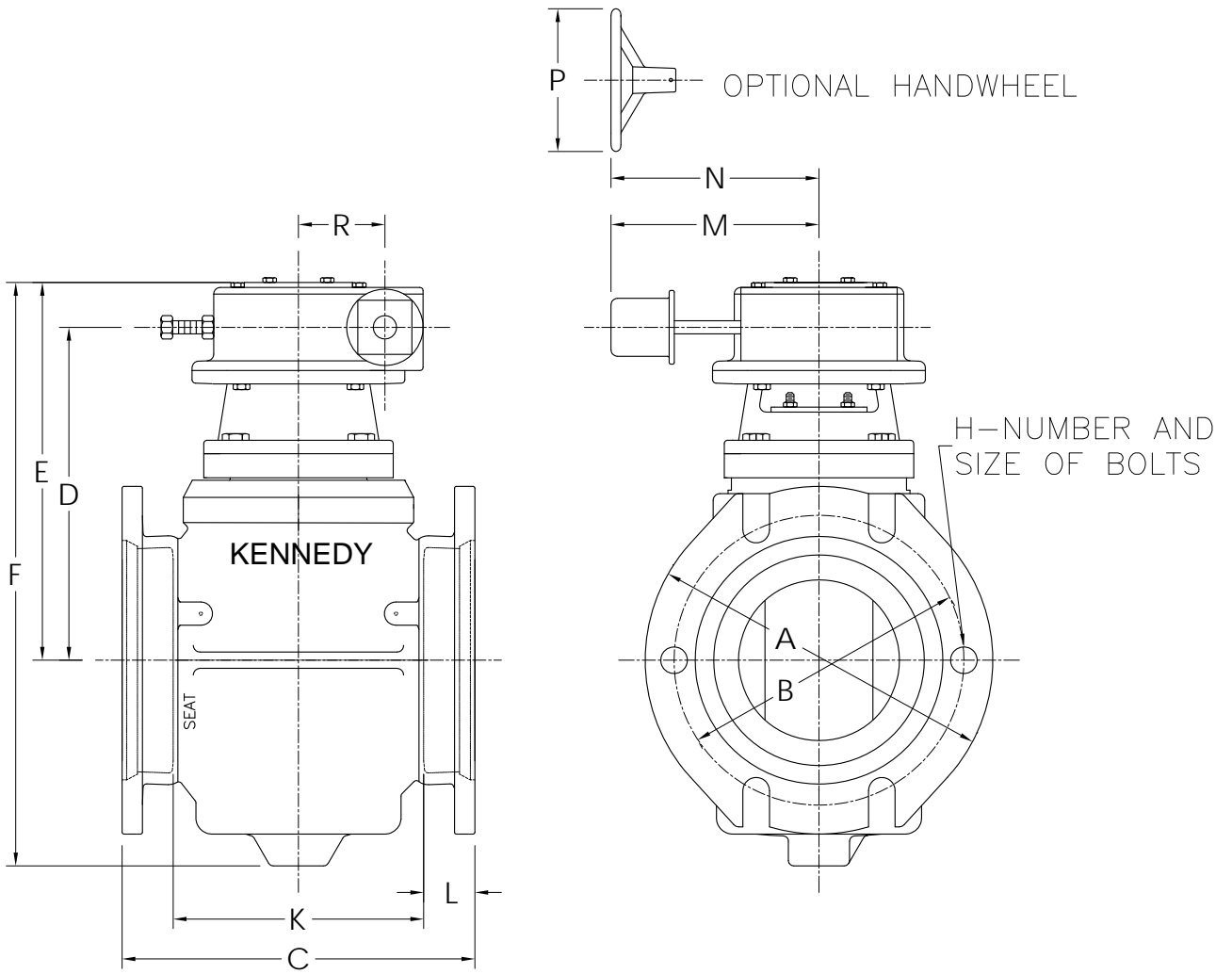
\*NOTE: WEIGHTS INCLUDES WEIGHT OF CURRENT STANDARD OPERATOR

<b>UNLESS OTHERWISE SPECIFIED:</b> CASTING DIM: 0" - 4" +/- 1/32" 4" - 8" +/- 3/64" 8" - 12" +/- 1/16" 12" - 18" +/- 3/32" 18" - UP +/- 1/8" RADII 1/8" DRAFT 2°		NAME	DATE	<b>KENNEDY VALVE</b> Division of McWane, Inc. 1021 EAST WATER STREET ELMIRA, NEW YORK 14901
	DRAWN	DB	9/27/17	
	CHECKED	-	-	
	APPROVED	-	-	
DO NOT SCALE DRAWING				<b>TITLE:</b> 14" - 24" ECCENTRIC PLUG VALVE 80% PORT ( GLOBALLY SOURCED ) MODEL 5412 - FLG x FLG - BARE STEM ( GENERAL DIMENSIONS )
<b>MACHINING DIM:</b> DUAL DIM. INCHES[MM] FRACTIONAL ± 1/64 ANGULAR ± .5 RADII ± 1/32" TWO PLACE DECIMAL ± .02 THREE PLACE DECIMAL ± .005	MATERIAL:		Weight:	<b>SIZE</b> PART NO. DWG. NO. REV <b>A</b> CAT910191A 1
	LBS			
FINISH: 125 RMS	PROPRIETARY AND CONFIDENTIAL THE INFORMATION CONTAINED IS THE SOLE PROPERTY OF KENNEDY VALVE CO. ANY REPRODUCTION IN PART OR AS A WHOLE WITHOUT THE WRITTEN PERMISSION OF KENNEDY VALVE CO. IS PROHIBITED. DESIGN & INVENTION RIGHTS RESERVED.			SHEET 1 OF 1



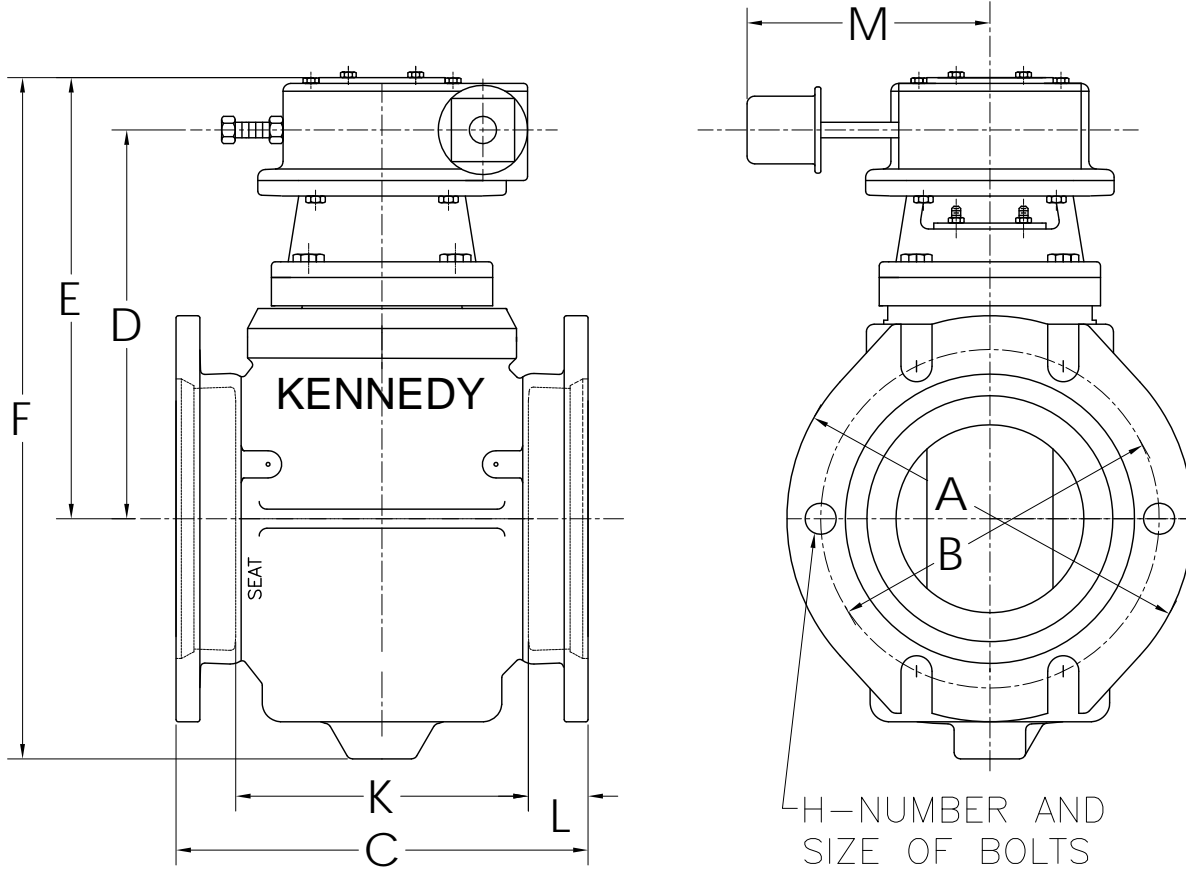
VALVE SIZE	A	B	C	D	E	F	H	K	L	APPROX. WEIGHT
3"	7 5/8	6 3/16	11 7/8	3 15/32	6 3/4	11	4-(3/4)	6 7/8	2 1/2	46
4"	9 1/8	7 1/2	12 1/4	4 7/16	11	16 3/8	4-(3/4)	7 1/4	2 1/2	60
6"	11 1/8	9 1/2	15 3/4	6 1/8	14 1/2	21	6-(3/4)	9 1/8	2 1/2	108
8"	13 3/4	11 3/4	17 1/2	7 5/8	16	24 1/4	6-(3/4)	12 1/2	2 1/2	195

	NAME	DATE	<b>KENNEDY VALVE</b> Division of McWane, Inc. 1021 EAST WATER STREET ELMIRA, NEW YORK 14901			
DRAWN	DB	9/27/17				
CHECKED	-	-				
APPROVED	-	-				
DO NOT SCALE DRAWING			TITLE: 3" - 8" ECCENTRIC PLUG VALVE			
MATERIAL:			80% PORT ( GLOBALLY SOURCED )			
Weight:			MODEL 5413 - MJ x MJ - MANUAL W/2" SQ NUT ( GENERAL DIMENSIONS )			
			SIZE	PART NO.	DWG. NO.	REV
			A	-	CAT910015A	2
<small>PROPRIETARY AND CONFIDENTIAL</small> <small>THE INFORMATION CONTAINED IS THE SOLE PROPERTY OF KENNEDY VALVE CO. ANY REPRODUCTION IN PART OR AS A WHOLE WITHOUT THE WRITTEN PERMISSION OF KENNEDY VALVE CO. IS PROHIBITED. DESIGN &amp; INVENTION RIGHTS RESERVED.</small>						SHEET 1 OF 1



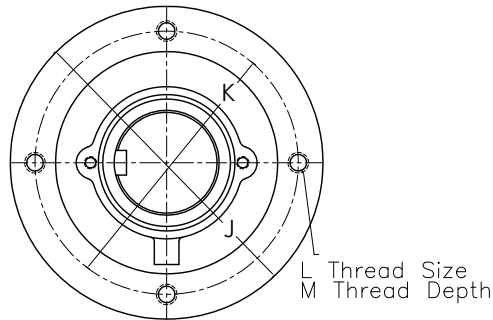
VALVE SIZE	A	B	C	D	E	F	H	K	L	M	N	P	R	WEIGHT	
4"	9 1/8	7 1/2	12 1/4	8 1/4	9 1/2	15	4-3/4	7 1/4	2 1/2	10 1/4	12	8	2 3/4	110	JPM12
6"	11 1/8	9 1/2	15 3/4	10 3/4	12	18 1/2	6-3/4	9 1/8	2 1/2	10 1/4	12	12	2 3/4	148	JPM12
8"	13 3/4	11 3/4	17 1/2	12 1/4	13 1/2	21 3/4	6-3/4	12 1/2	2 1/2	10 1/4	12, 13	12, 18	2 3/4	235	JPM12
10"	15 3/4	14	19 3/8	14 3/4	16 7/16	26 3/4	8-3/4	14 3/8	2 1/2	10 5/8	13, 14	18, 24	3 15/16	448	JPM14
12"	18	16 1/4	20 3/4	16 1/4	18	30 1/4	8-3/4	15 3/4	2 1/2	10 5/8	13, 14	18, 24	3 15/16	555	JPM14
14"	20 5/16	18 3/4	24 1/2	19	20 3/4	35	10-3/4	17 1/2	3 1/2	15 3/4	18	18	9 1/2	750	JPM15
16"	22 1/2	21	24 3/4	20 3/4	22 7/16	38	12-3/4	17 3/4	3 1/2	15 3/4	19	24	9 1/2	950	JPM15
18"	24 3/4	23 1/4	28 5/8	22 1/4	24	41	12-3/4	21 5/8	3 1/2	15 3/4	19	30	9 1/2	1150	IW6R
20"	27	25 1/2	30 3/4	23 3/4	25 1/2	45 1/2	14-3/4	23 3/4	3 1/2	15 3/4	19	36	9 1/2	1450	IW6R
24"	31 1/2	30	37	25 1/4	26 15/16	50	16-3/4	30	3 1/2	15 3/4	19	36	9 1/2	2200	IW6R

	NAME	DATE		<b>KENNEDY VALVE</b> Division of McWane, Inc. 1021 EAST WATER STREET ELMIRA, NEW YORK 14901										
DRAWN	DB	9/27/17												
CHECKED	-	-												
APPROVED	-	-	<b>TITLE:</b> 4" - 24" ECCENTRIC PLUG VALVE 80% PORT ( GLOBALLY SOURCED ) MODEL 5413 - MJ x MJ - WORM GEAR ( GENERAL DIMENSIONS )											
DO NOT SCALE DRAWING														
MATERIAL:			<table border="1"> <tr> <td>SIZE</td> <td>PART NO.</td> <td>DWG. NO.</td> <td>REV</td> </tr> <tr> <td><b>A</b></td> <td>-</td> <td>CAT910026A</td> <td>2</td> </tr> </table>				SIZE	PART NO.	DWG. NO.	REV	<b>A</b>	-	CAT910026A	2
SIZE	PART NO.	DWG. NO.					REV							
<b>A</b>	-	CAT910026A	2											
Weight:			<p style="text-align: center;"><small>PROPRIETARY AND CONFIDENTIAL</small></p> <small>THE INFORMATION CONTAINED IS THE SOLE PROPERTY OF KENNEDY VALVE CO. ANY REPRODUCTION IN PART OR AS A WHOLE WITHOUT THE WRITTEN PERMISSION OF KENNEDY VALVE CO. IS PROHIBITED. DESIGN &amp; INVENTION RIGHTS RESERVED.</small>											
			<b>SHEET 1 OF 1</b>											

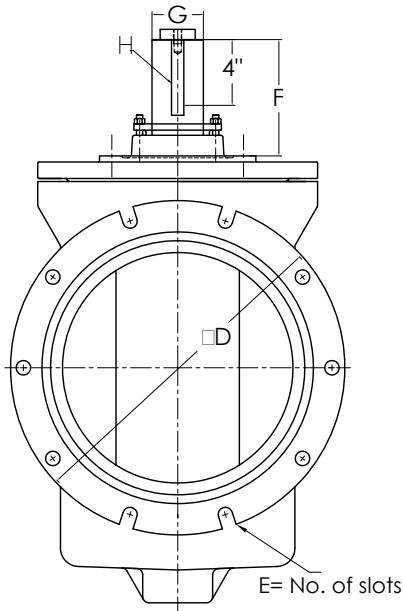
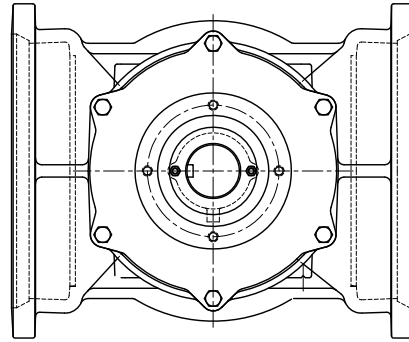


VALVE SIZE	A	B	C	D	E	F	H	K	L	M
3"	7.63	6.19	11.88	8.22	10.09	14.34	4 (3/4)	6.88	2.50	6.25

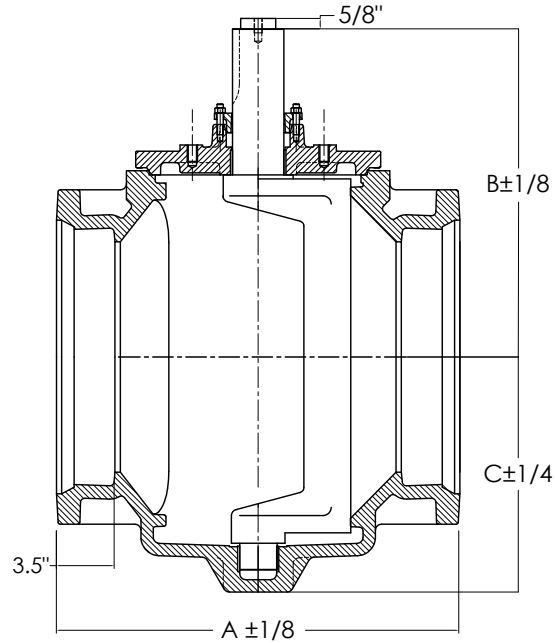
UNLESS OTHERWISE SPECIFIED: CASTING DIM: 0" - 4" +/- 1/32" 4" - 8" +/- 3/64" 8" - 12" +/- 1/16" 12" - 18" +/- 3/32" 18" - UP +/- 1/8" RADII 1/8" DRAFT 2°		NAME	DATE	<b>KENNEDY VALVE</b> Division of McWane, Inc. 1021 EAST WATER STREET ELMIRA, NEW YORK 14901
	DRAWN	DB	9/27/17	
	CHECKED	-	-	
	APPROVED	-	-	
MACHINING DIM: DUAL DIM. INCHES[MM] FRACTIONAL ± 1/64 ANGULAR ± .5 RADII ± 1/32" TWO PLACE DECIMAL ± .02 THREE PLACE DECIMAL ± .005	DO NOT SCALE DRAWING			TITLE: 3" ECCENTRIC PLUG VALVE 80% PORT ( GLOBALLY SOURCED ) MODEL 5413 - MJ x MJ - WORM GEAR ( GENERAL DIMENSIONS )
	MATERIAL:			
	Weight: LBS	SIZE <b>A</b>	PART NO.	
FINISH: 125 RMS	PROPRIETARY AND CONFIDENTIAL THE INFORMATION CONTAINED IS THE SOLE PROPERTY OF KENNEDY VALVE CO. ANY REPRODUCTION IN PART OR AS A WHOLE WITHOUT THE WRITTEN PERMISSION OF KENNEDY VALVE CO. IS PROHIBITED. DESIGN & INVENTION RIGHTS RESERVED.			SHEET 1 OF 1



Actuator Mounting Dimensions



SMJ Flange Dimension  
Conform to ANSI 21.11/AWWA C111

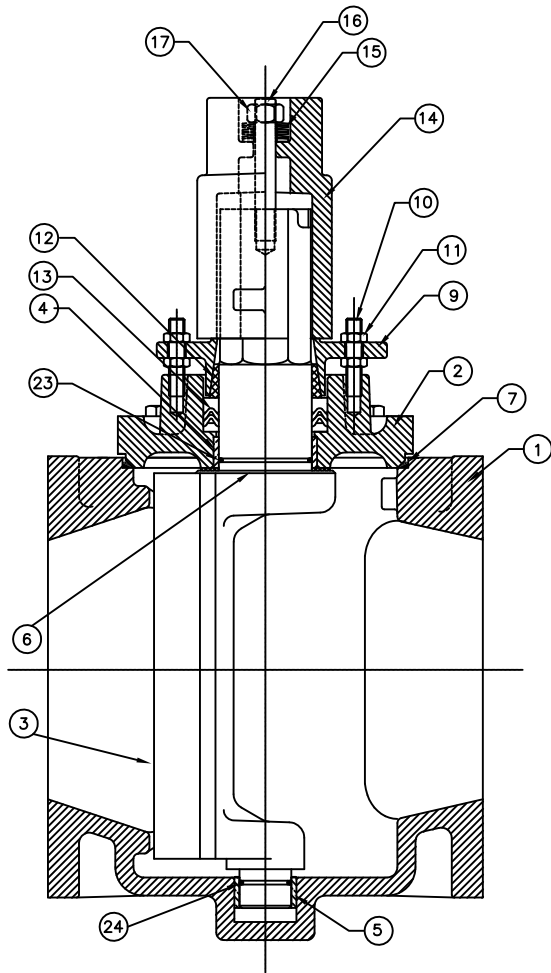


Valve Size	A	B	C	D	E	F	G	H	J	K	L	M	*WEIGHT
14	24.50	19.69	14.31	20.31	4	6.81	3.121	.75 sq	9.50	8.00	5/8-11	7/8	735
16	24.75	20.88	15.75	22.50	4	6.81	3.121	.75 sq	9.50	8.00	5/8-11	7/8	950
18	28.63	22.94	17.18	24.75	4	6.81	3.121	.75 sq	9.50	8.00	5/8-11	7/8	1150
20	30.75	24.22	20.00	27.00	2	6.81	3.121	.75 sq	9.50	8.00	5/8-11	7/8	1420
24	37.00	25.28	22.94	31.50	2	6.18	3.750	.875 sq	11.00	9.00	3/4-10	7/8	2100

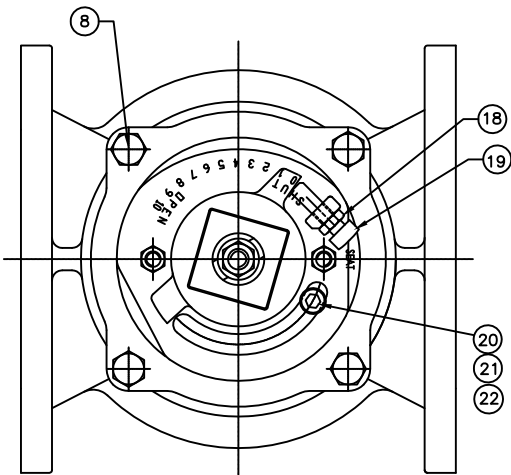
\*NOTE: WEIGHTS INCLUDES WEIGHT OF CURRENT STANDARD OPERATOR

REPLACES PV-A11

<b>UNLESS OTHERWISE SPECIFIED:</b> CASTING DIM: 0" - 4" +/- 1/32" 4" - 8" +/- 3/64" 8" - 12" +/- 1/16" 12" - 18" +/- 3/32" 18" - UP +/- 1/8" RADII 1/8" DRAFT 2°		NAME	DATE	<b>KENNEDY VALVE</b> Division of McWane, Inc. 1021 EAST WATER STREET ELMIRA, NEW YORK 14901	
	DRAWN	N.HOLT	2/17/15		
	CHECKED	-	-		
	APPROVED	-	-		
<b>MACHINING DIM:</b> DUAL DIM. INCHES[MM] FRACTIONAL ± 1/64 ANGULAR ± .5 RADII ± 1/32" TWO PLACE DECIMAL ± .002 THREE PLACE DECIMAL ± .005		<b>DO NOT SCALE DRAWING</b>		<b>TITLE:</b> 14" - 24" ECCENTRIC PLUG VALVE 80% PORT ( GLOBALLY SOURCED ) MODEL 5413 - MJ x MJ - BARE STEM ( GENERAL DIMENSIONS )	
<b>FINISH:</b> 125 RMS	<b>MATERIAL:</b>  <b>Weight:</b> <b>LBS</b>	<b>SIZE</b> <b>A</b>	<b>PART NO.</b> -	<b>DWG. NO.</b> CAT910192A	<b>REV</b> 1
<b>PROPRIETARY AND CONFIDENTIAL</b> THE INFORMATION CONTAINED IS THE SOLE PROPERTY OF KENNEDY VALVE CO. ANY REPRODUCTION IN PART OR AS A WHOLE WITHOUT THE WRITTEN PERMISSION OF KENNEDY VALVE CO. IS PROHIBITED. DESIGN & INVENTION RIGHTS RESERVED.				<b>SHEET 1 OF 1</b>	



SEQ	DESCRIPTION	MATERIAL
1	BODY	ASTM A-126 CLASS B
2	COVER	ASTM A-126 CLASS B
3	PLUG	ASTM A 536 65-45-12 & BUNA-N
4	TOP BEARING	316 STAINLESS STEEL
5	BOTTOM BEARING	316 STAINLESS STEEL
6	THRUST WASHER	PTFE
7	COVER O-RING	BUNA-N
8	COVER CAPSCREWS	304 STAINLESS STEEL
9	GLAND / BRAKE FOLLOWER	ASTM A-126 CLASS B
10	FOLLOWER STUD	304 STAINLESS STEEL
11	FOLLOWER NUTS	304 STAINLESS STEEL
12	BRAKE	GLASS REINFORCED PPS
13	" V " PACKING	BUNA-N
14	OPERATING NUT	ASTM A536 65-45-12
15	DISC SPRING WASHER	Carbon Steel, Zinc Plated
16	ADJUSTING STUD	304 STAINLESS STEEL
17	LOCK NUT	304 STAINLESS STEEL
18	JAM NUT	304 STAINLESS STEEL
19	SOCKET HEAD CAPSCREW	304 STAINLESS STEEL
20	SOCKET HEAD CAPSCREW	304 STAINLESS STEEL
21	FLAT WASHER	304 STAINLESS STEEL
22	JAM NUT	304 STAINLESS STEEL
23	UPPER GRIT SEAL	BUNA-N
24	LOWER GRIT SEAL	BUNA-N

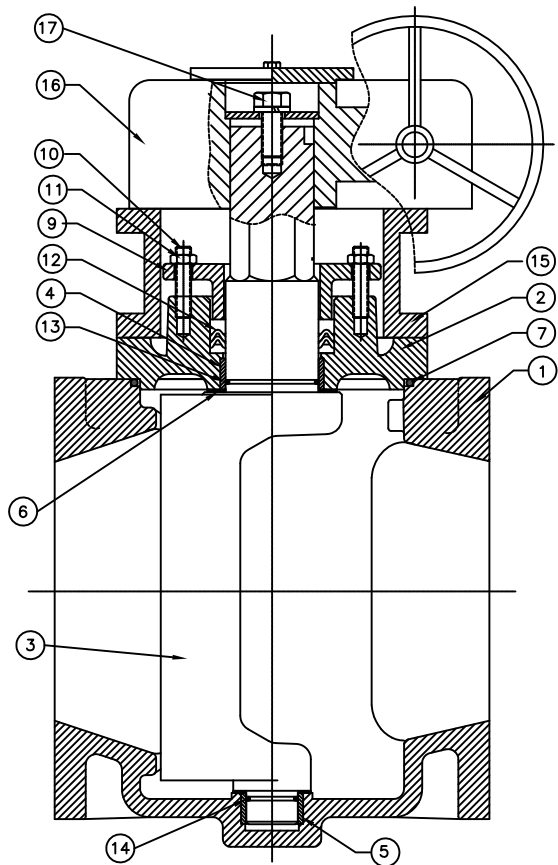


REF: CAT910012A

	<table border="1"> <tr> <th>NAME</th> <th>DATE</th> </tr> <tr> <td>DRAWN DB</td> <td>9/27/17</td> </tr> <tr> <td>CHECKED -</td> <td>-</td> </tr> <tr> <td>APPROVED -</td> <td>-</td> </tr> </table>	NAME	DATE	DRAWN DB	9/27/17	CHECKED -	-	APPROVED -	-	<b>KENNEDY VALVE</b> Division of McWane, Inc. 1021 EAST WATER STREET ELMIRA, NEW YORK 14901		
	NAME	DATE										
	DRAWN DB	9/27/17										
	CHECKED -	-										
APPROVED -	-											
DO NOT SCALE DRAWING MATERIAL:		TITLE: 3" - 8" ECCENTRIC PLUG VALVE 80% PORT ( GLOBALLY SOURCED ) MANUAL with 2" OP-NUT ( PARTS LIST )										
Weight:	SIZE <b>A</b>	PART NO.	DWG. NO. CAT910299A									
			REV 1									

PROPRIETARY AND CONFIDENTIAL  
 THE INFORMATION CONTAINED IS THE SOLE PROPERTY OF KENNEDY VALVE CO. ANY REPRODUCTION IN PART OR AS A WHOLE WITHOUT THE WRITTEN PERMISSION OF KENNEDY VALVE CO. IS PROHIBITED. DESIGN & INVENTION RIGHTS RESERVED.

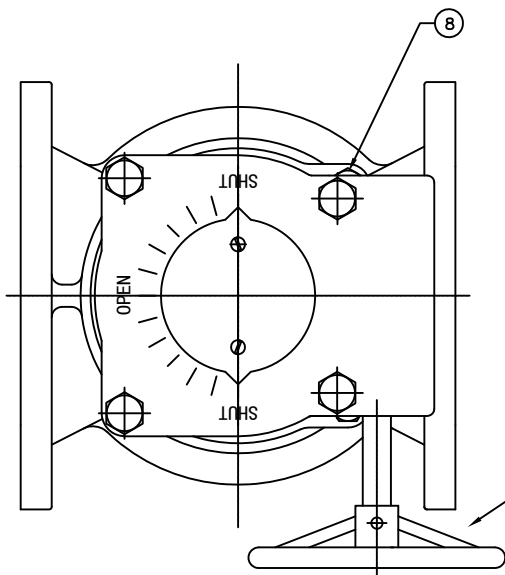




SEQ	DESCRIPTION	MATERIAL
1	BODY	CAST IRON ASTM A-126 CLASS B
2	COVER	CAST IRON ASTM A-126 CLASS B
3	PLUG	DUCTILE IRON ASTM A 536 65-45-12 & BUNA-N
4	TOP BEARING	316 STAINLESS STEEL
5	BOTTOM BEARING	316 STAINLESS STEEL
6	TOP THRUST WASHER	PTFE
7	COVER O-RING	BUNA-N
8	COVER CAPSCREWS	304 STAINLESS STEEL *** (316)
9	GLAND	CAST IRON ASTM A-126 CLASS B
10	FOLLOWER STUD	304 STAINLESS STEEL *** (316)
11	FOLLOWER NUTS	304 STAINLESS STEEL *** (316)
12	" V " PACKING	BUNA-N
13	UPPER GRIT SEAL	BUNA-N
14	LOWER GRIT SEAL	BUNA-N
15	GEAR ADAPTER	CAST IRON ASTM A-126 CLASS B
16	MANUAL GEARBOX	
17	LIFT SCREW & WASHER	304 STAINLESS STEEL *** (316)
18	ADAPTER SCREW	304 STAINLESS STEEL *** (316)

NOTE:

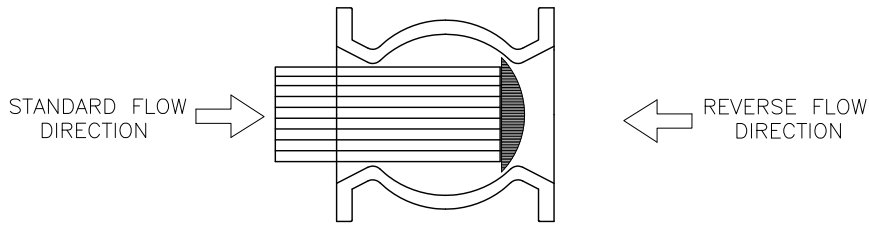
- 1) MATERIALS LISTED FOR FLANGED OR MECHANICAL JOINT VALVES
- 2) \*\*\* 316 FASTENERS OPTIONAL



NOTE:  
AVAILABLE WITH 2" SQUARE NUT  
or OPTIONAL HANDWHEEL.

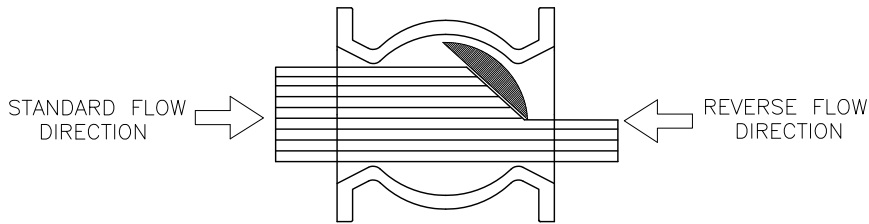
	NAME	DATE	<b>KENNEDY VALVE</b> Division of McWane, Inc. 1021 EAST WATER STREET ELMIRA, NEW YORK 14901
DRAWN	DB	9/26/17	
CHECKED	-	-	
APPROVED	-	-	
DO NOT SCALE DRAWING			TITLE: 3" - 24" ECCENTRIC PLUG VALVE 80% PORT ( GLOBALLY SOURCED ) GEAR OPERATED ( PARTS LIST )
MATERIAL:			
Weight:			SIZE <b>A</b> PART NO. DWG. NO. <b>CAT910300A</b> REV <b>1</b>
PROPRIETARY AND CONFIDENTIAL THE INFORMATION CONTAINED IS THE SOLE PROPERTY OF KENNEDY VALVE CO. ANY REPRODUCTION IN PART OR AS A WHOLE WITHOUT THE WRITTEN PERMISSION OF KENNEDY VALVE CO. IS PROHIBITED. DESIGN & INVENTION RIGHTS RESERVED.			SHEET 1 OF 1

### CLOSED



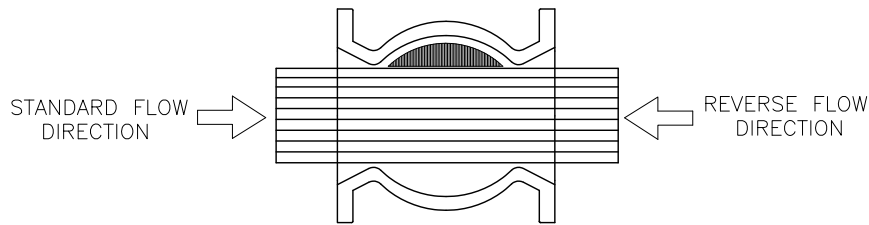
As the plug component is rotated to valve closure, the offset condition of the plug causes the seating surface to move axially downstream into the nickel seat. This results in a high seating force thereby crushing trapped solids and resulting in a bubble-tight seal. The upstream pressure acting on the convex side of the plug further improves the bubble-tight seal.

### OPENING



Upon opening the valve, the initial rotation of the plug causes the resilient seating surface to move axially away from the nickel seat in the body. This action minimizes wear and scraping of the resilient seat, thereby improving the life of the valve. The plug can be positioned at any position between open and closed for throttling applications.

### OPEN



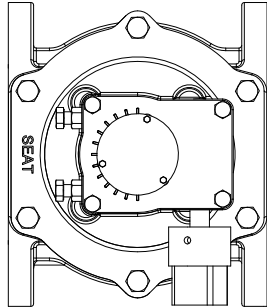
In the full-open position, the plug is rotated out of the main fluid stream as shown. This allows for high capacity flow through the valve.

### FLOW DIRECTION DESIGNATION

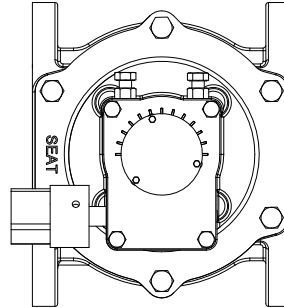
Valves 3" through 8" are available with lever actuators. Geared actuators are recommended on 6" and larger valves. It is also recommended that valves installed in pipelines with high velocity or where water hammer conditions can be caused by sudden valve shut-off that geared actuators be installed. Lever actuators can only be used for pressure ratings of 100 psi maximum and 25 psi in the reverse flow conditions.

	NAME	DATE		<b>KENNEDY VALVE</b> Division of McWane, Inc. 1021 EAST WATER STREET ELMIRA, NEW YORK 14901		
DRAWN	N.HOLT	2/17/15				
CHECKED	-	-				
APPROVED	-	-	TITLE: ECCENTRIC PLUG VALVE FLOW DESIGNATION ALL STYLES			
DO NOT SCALE DRAWING						
MATERIAL:						
Weight:			SIZE	PART NO.	DWG. NO.	REV
			A	-	CAT910184A	1
<small>PROPRIETARY AND CONFIDENTIAL THE INFORMATION CONTAINED IS THE SOLE PROPERTY OF KENNEDY VALVE CO. ANY REPRODUCTION IN PART OR AS A WHOLE WITHOUT THE WRITTEN PERMISSION OF KENNEDY VALVE CO. IS PROHIBITED. DESIGN &amp; INVENTION RIGHTS RESERVED.</small>						SHEET 1 OF 1

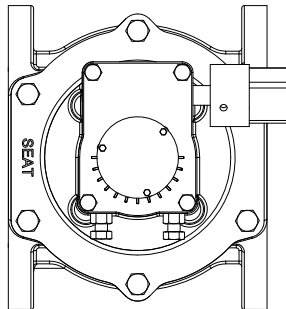
# AVAILABLE WORM GEAR INPUT ORIENTATION



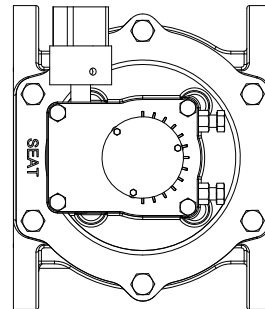
STANDARD



OPTION 4



OPTION 2



OPTION 3

ACTUATOR MOUNTING POSITION AS VIEWED FROM THE TOP OF THE VALVE

REPLACES PV-6

	NAME	DATE		<b>KENNEDY VALVE</b>			
DRAWN	DB	9/27/17		Division of McWane, Inc. 1021 EAST WATER STREET ELMIRA, NEW YORK 14901			
CHECKED	-	-		TITLE: 4" - 16" ECCENTRIC PLUG VALVE 80% PORT (GLOBALLY SOURCED) WORM GEAR ORIENTATION OPTIONS ( ALL STYLES )			
APPROVED	-	-					
DO NOT SCALE DRAWING			SIZE	PART NO.	DWG. NO.	REV	
MATERIAL:							A
Weight:			PROPRIETARY AND CONFIDENTIAL				
THE INFORMATION CONTAINED IS THE SOLE PROPERTY OF KENNEDY VALVE CO. ANY REPRODUCTION IN PART OR AS A WHOLE WITHOUT THE WRITTEN PERMISSION OF KENNEDY VALVE CO. IS PROHIBITED. DESIGN & INVENTION RIGHTS RESERVED.						SHEET 1 OF 1	

VALVE SIZE	C <sub>v</sub>
3"	335
4"	565
6"	1210
8"	2050
10"	3100
12"	4170
14"	5460
16"	7420
18"	9675
20"	12920
24"	17670

FLOW IN GPM (GALLONS PER MINUTE) TO EQUAL A 1 PSI PRESSURE DROP

SIZING FORMULA

SYMBOL DEFINITIONS

$$(1) CV = \frac{Q}{\sqrt{\Delta P}}$$

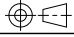

C<sub>v</sub> = VALVE SIZING COEFFICIENT

$$(2) Q = C \sqrt{\Delta P}$$

P = PRESSURE DROP, POUNDS PER SQUARE INCH (PSI)

$$(3) = \left( \frac{Q}{CV} \right)^2$$

Q = FLOW, GALLONS PER MINUTE (GPM)

	NAME	DATE		<b>KENNEDY VALVE</b>		
DRAWN	DB	9/27/17		Division of McWane, Inc. 1021 EAST WATER STREET ELMIRA, NEW YORK 14901		
CHECKED	-	-		TITLE: ECCENTRIC PLUG VALVE 80% PORT [GLOBALLY SOURCED] C <sub>v</sub> VALUES		
APPROVED	-	-				
DO NOT SCALE DRAWING			SIZE	PART NO.	DWG. NO.	REV
MATERIAL:			A	-	CAT910186A	2
Weight:			PROPRIETARY AND CONFIDENTIAL			
THE INFORMATION CONTAINED IS THE SOLE PROPERTY OF KENNEDY VALVE CO. ANY REPRODUCTION IN PART OR AS A WHOLE WITHOUT THE WRITTEN PERMISSION OF KENNEDY VALVE CO. IS PROHIBITED. DESIGN & INVENTION RIGHTS RESERVED.						SHEET 1 OF 1