

**KENNEDY VALVE FLOOR TYPE  
PRESSURE RELIEF VALVE**

KENNEDY VALVE

**Size 4"**

**Figure No. F-1493**

<b>Body Length - "L" - Inches</b>	12	18	24
<b>Weight Complete - Pounds</b>	33	41	51

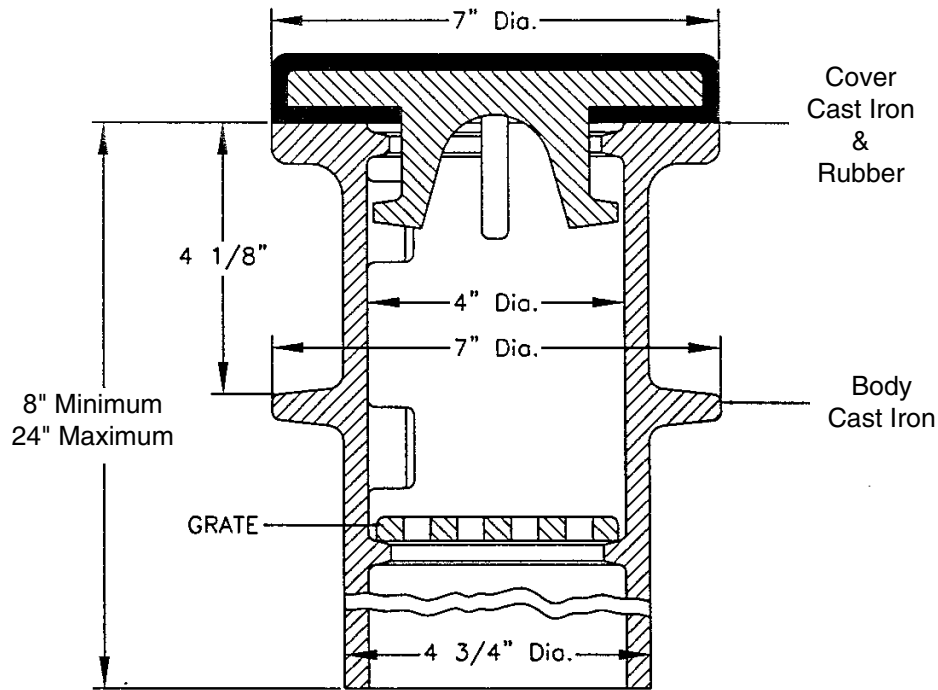
1. A RUBBER (EPDM) TO METAL SEAL IS ACCOMPLISHED WHEN THE COVER IS IN THE CLOSED POSITION, METAL FACE IS COATED WITH EPOXY PAINT.
2. GROUND WATER PRESSURE CANNOT SEPARATE COVER OR GRATE FROM BODY.
3. COVER AND GRATE CAN BE REMOVED BY TURNING TO RIGHT OR LEFT AND LIFTING OUT.
4. THE COVER WEIGHS APPROXIMATELY 6 POUNDS AND STARTS TO OPEN AT A HEAD OF APPROXIMATELY 9" OF WATER.
5. IN ORDER FOR THE F-1493 FLOOR TYPE VALVE TO OPERATE CORRECTLY, IT MUST BE INSTALLED IN A VERTICAL POSITION.

*Updated 06/14/13*

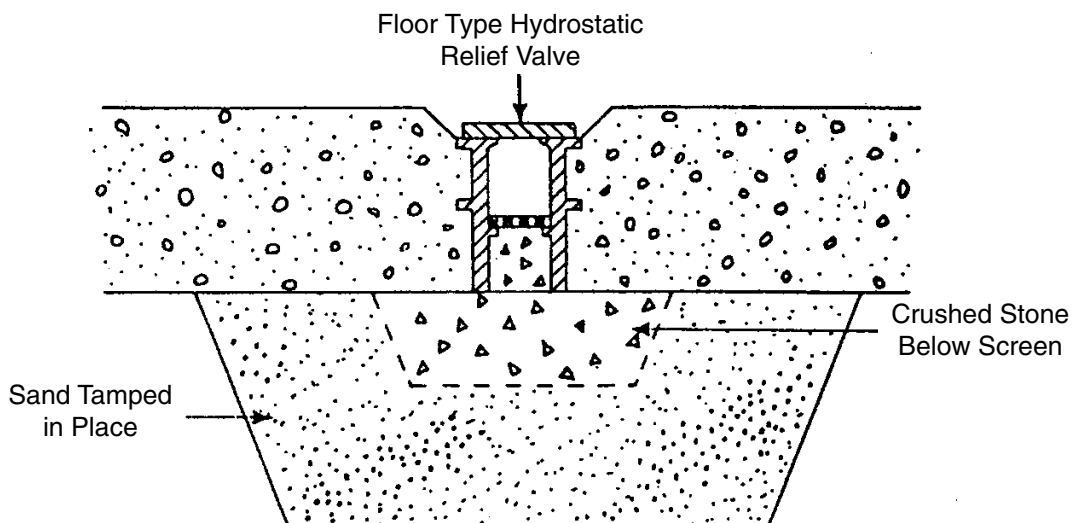
**FLOOR TYPE PRESSURE  
RELIEF VALVES  
CROSS SECTION & PARTS LIST**

KENNEDY VALVE

F-1493



F-1493 Floor Type Pressure Relief Valve



Updated 06/14/13

**SUGGESTED SPECIFICATIONS  
KENNEDY VALVE 4" FLOOR TYPE  
PRESSURE RELIEF VALVES**

KENNEDY VALVE

**Specifications**

Floor type hydrostatic pressure relief valve shall be designed for installing in the bottom of concrete tanks.

The assembly shall consist of three parts: cover, body and grate. All three parts shall be of cast iron conforming to ASTM specifications A-126 Class B. They shall be designed so that neither the cover or grate can become separated from the body of the valve, due to groundwater pressure around the tank. However, when necessary, both may be easily removed by turning them to right or left to free them from locking lugs cast integrally on the inside of the body.

The seats shall be of EPDM rubber, bonded to the cover, mating with an epoxy coated seat in the body.

Floor type pressure relief valves shall be as manufactured by Kennedy Valve or approved equal.

*Updated 06/14/13*

**KENNEDY VALVE WALL TYPE  
PRESSURE RELIEF VALVES**

KENNEDY VALVE

F-1494

**End Connections & Size**  
**Flange: 4"**

**Figure No. F-1494**

**Accessories:**

**4" F-1496 Wall Pipe with Grate**

<b>Wall Pipe Length (inches)</b>	<b>22</b>
<b>Approx. Weight - Pounds</b>	<b>43</b>

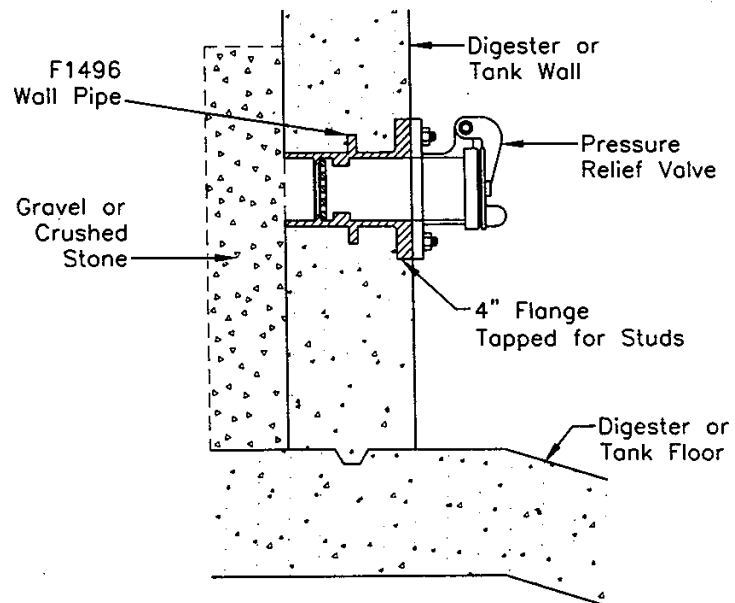
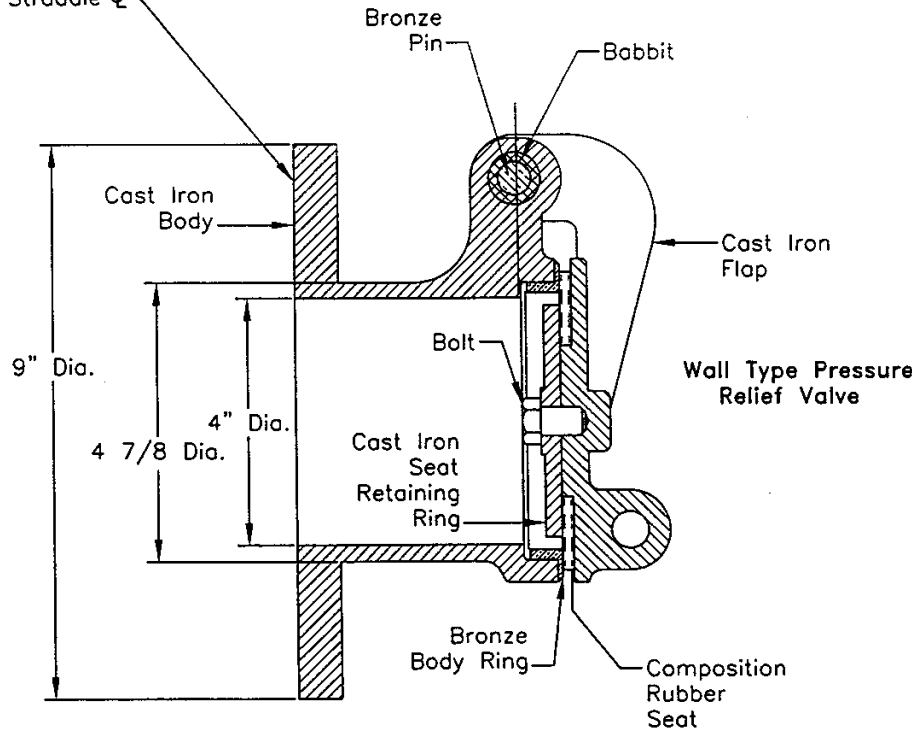
NOTE: WALL PIPE FURNISHED IN 22-INCH LENGTH  
MAY BE CUT TO SHORTER LENGTHS IN FIELD

# WALL TYPE PRESSURE RELIEF VALVES CROSS SECTION & PARTS LIST

KENNEDY VALVE

F-1494

8-3/4" Holes on  
7 1/2" Dia. B.C.  
Holes Straddle  $\bar{C}$



**SUGGESTED SPECIFICATIONS  
KENNEDY VALVE 4" WALL TYPE  
PRESSURE RELIEF VALVES**

KENNEDY VALVE

**Specifications**

The wall type hydrostatic pressure relief valve shall be suitable for side wall installation in tanks and digesters.

The valve shall be of the vertical seat design with offset single pivoted hinge.

The assemble shall consist of five parts: flap gate, body gate seat retainer plate, hinge pin and body seat ring.

The flap gate, body and gate seat retainer plate shall be of cast iron conforming to ASTM specifications A-126 Class B.

The body seat ring and hinge pin shall be furnished of bronze.

The gate shall have a neoprene rubber seat cemented and mechanically retained in place by a cast iron retainer plate. The body seat ring shall be threaded and screwed into place and the face machined to a smooth finish.

The valve shall have a 4" flanged end faced and drilled to ANSI 125 pound template for connection to a 4" wall pipe.

Wall type pressure relief valves shall be manufactured by Kennedy Valve or approved equal.



# **Kennedy Valve**

A DIVISION OF McWANE, INC.

[www.kennedyvalve.com](http://www.kennedyvalve.com)

1021 E. Water Street • Elmira, New York 14901  
P.O. Box 981  
PHONE: (607) 734-2211 • FAX: 1-800-952-4771