

KENFLEX RESILIENT HINGED CHECK VALVE FIG 506

FEATURES:

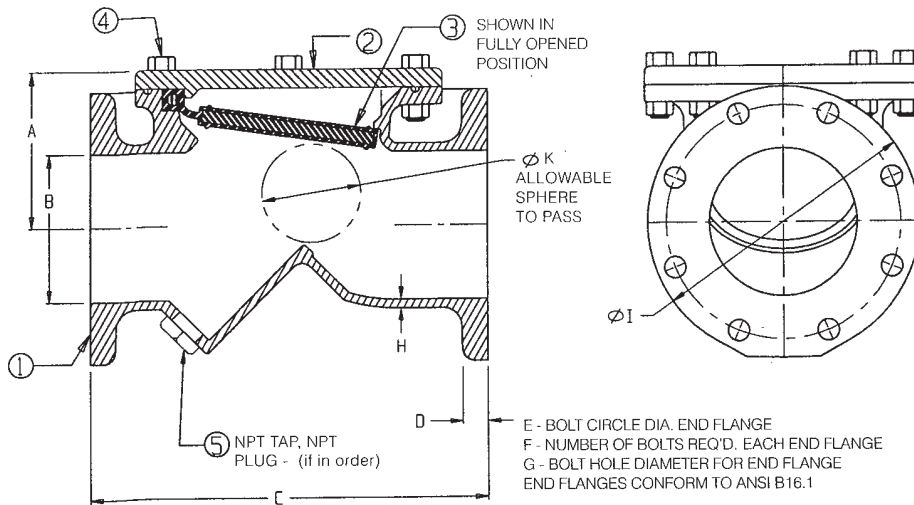
- 100% Flow Area
- Simple Design, with no Maintenance Required
- 250 PSI Working Pressure
- Ductile Iron Body and Cover
- Steel Reinforced, Precision Molded Rubber Flapper
- Available in 4", 6", 8", 10" & 12"
- Quiet Operation with Non-Slam Design
- AWWA C508

APPLICATIONS:

The Ken-Flex Resilient Hinged Check Valve eliminates most problems associated with swing check valves. Due to its simplicity, it is ideal for "dirty water" applications.

TESTING:

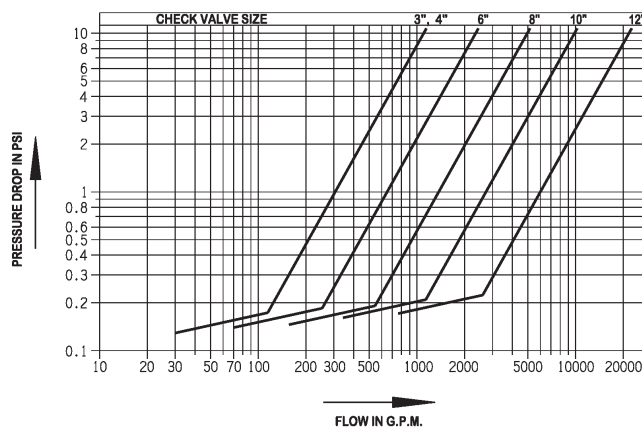
The Ken-Flex Fig. 506 has been tested for one million cycles and still maintained a bubble-tight seal.



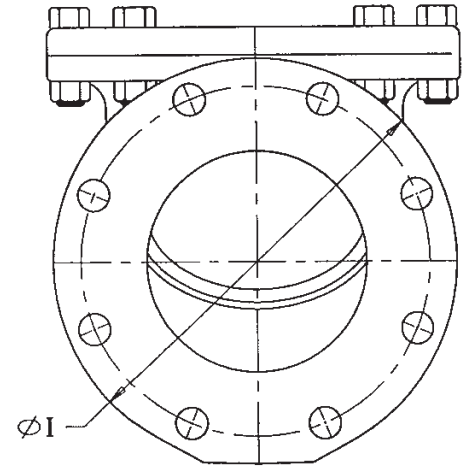
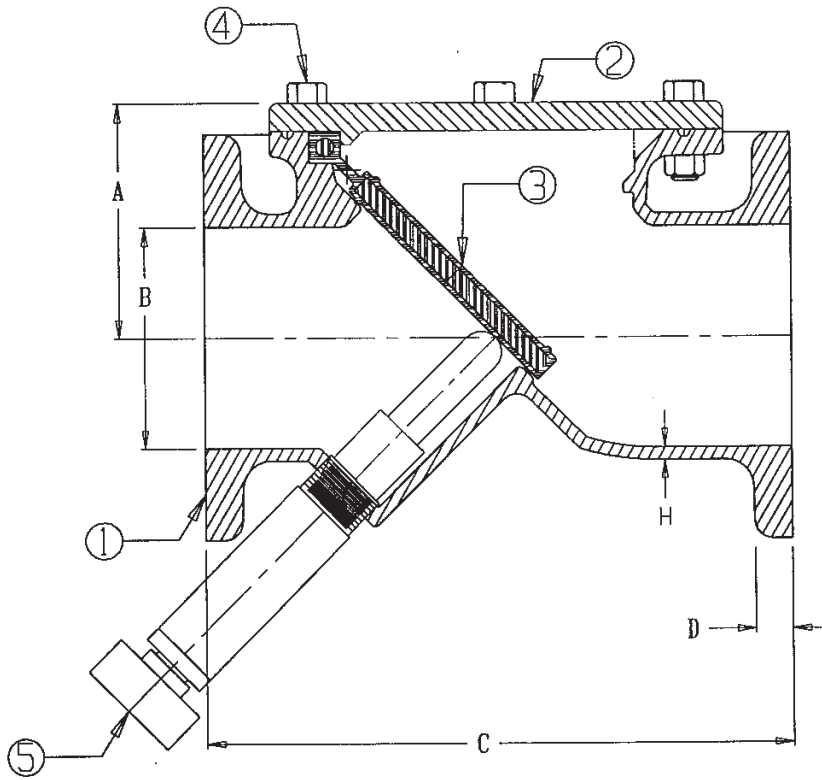
DIMENSIONS										PART				
SIZE	A (approx)	Ø B	C	D (nom.)	Ø E	F	Ø G	H (nom.)	I	K	PART NO.	NO. REQ'D.	PART	MATERIAL
4	4.88	4.00	13	1.00	7.50	8	0.75	0.31	9.0	3.0	1	1	BODY	DUCTILE IRON
6	6.38	6.00	16	1.06	9.50	8	0.88	0.34	11.0	4.0	2	1	COVER PLATE	DUCTILE IRON
8	7.63	8.00	19.5	1.19	11.75	8	0.88	0.34	13.5	6.0	3	1	FLAPPER	RESILIENT FLAPPER, METINSERT
10	9.06	10.00	24.5	1.25	14.25	12	1.00	0.38	16.0	8.0	4	Varies	COVER BOLTS & NUTS	STEEL
12	10.63	12.00	27.5	1.28	17.00	12	1.00	0.41	19.0	10.0	5	1	NPT PLUG (if in order)	STEEL

FLOW VERSUS PRESSURE DROP

Data Representative of Kennedy Figure 506 Resilient Hinged Check Valves



KENFLEX RESILIENT HINGED CHECK VALVE



E - BOLT CIRCLE DIA. END FLANGE
 F - NUMBER OF BOLTS REQ'D EACH END FLANGE
 G - BOLT HOLE DIAMETER FOR END FLANGE
 END FLANGES CONFORM TO ANSI B16.1

POSITION INDICATOR POA (NOT SHOWN)

PART NO.	NO REQ'D	PART	MATERIAL
1	1	BODY	DUCTILE IRON
2	1	COVER PLATE	DUCTILE IRON
3	1	FLAPPER	RESILIENT FLAPPER, MET. INSERT
4	VARIES	COVER BOLTS AND NUTS	STEEL
5	1	BACK FLOW JACK SUBASSEMBLY	STEEL COMPONENTS

SIZE (aprox)	A	ØB	C (nom.)	D	ØE	F	G (nom.)	H	I
4	4.88	4.00	13	1.00	7.50	8	0.75	0.31	9.0
6	6.38	6.00	16	1.06	9.50	8	0.88	0.34	9.0
8	7.63	8.00	19.5	1.19	11.75	8	0.88	0.34	13.5
10	9.06	10.00	24.5	1.25	14.25	12	1.00	0.38	16.0
12	10.63	12.00	27.5	1.28	17.00	12	1.00	0.41	19.0