

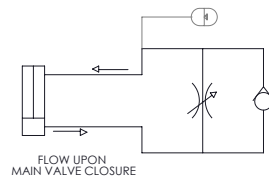
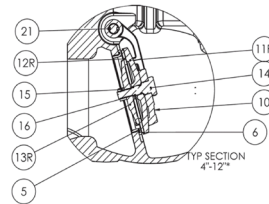
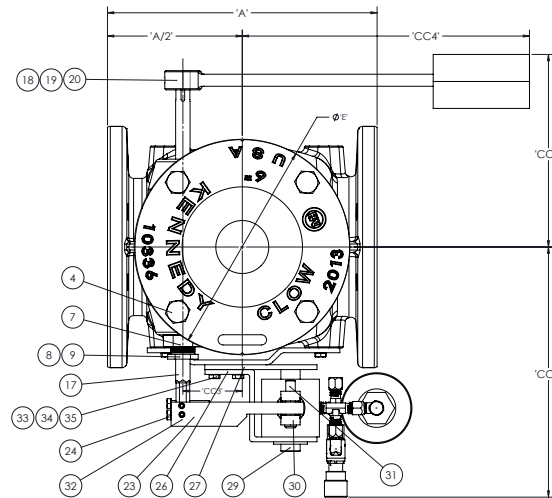
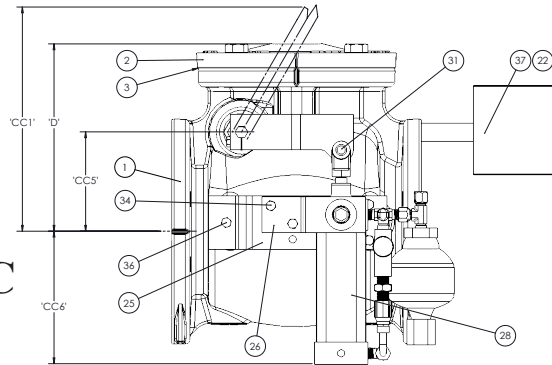


**KENNEDY VALVE**

# OIL CUSHION CHECK VALVE SIZES 3"-12" FULL WALL / DOMESTIC

**NOTES:**

1. 6" valve shown. 3"-12" valves available with resilient seat.
2. Valve shown with cushion arrangement on right hand side (facing inlet; left hand version available.)
3. Valve opening can be sudden. Install guards or otherwise assure that persons are well clear.
4. Configuration for vertical installation features lever rotated 90 degrees in clockwise direction. Flow is upward.
5. 3" size features Disc Bolt integral to Disc Holder.
6. 12" Hinge has (1) Enlarged Key instead of (2) standard ones.



## OIL CUSHION CHECK VALVE DIMENSIONS

Size	A	D	E	CC1	CC2	CC3	CC4	CC5	CC6	CC7
3	9.5	7.5	6.6	14	13	2.0	12	3.32	9	8.0
4	11.5	9	9.1	14	13	2.4	12	3.75	9	8.5
6	14.0	10	11.2	20	14	3.1	18	5	8	9.7
8	19.5	13	13.6	23	15	4.9	18	6.25	7	11.7
10	24.5	14	16.8	24	19	6.2	18	7.12	12	13.3
12	27.5	16.5	19.1	25	20	8.4	18	8.19	11	15.5

Dimensions approximate for checking clearances only.  
Allow clearance two sides to remove side plug & access hinge pin.

## OIL CUSHION CHECK VALVE MATERIAL LIST

ITEM No.	DESCRIPTION	MATERIAL
1	Body	Gray Iron ASTM A126-B
2	Cap	Gray Iron ASTM A126-B
3	O-ring; Cap Flange	Rubber; Buna-N
4	Bolt; Cap	18-8 Stainless Steel F593, F594
5	Seat Ring	C89833 or C87850 Bronze
6	O-ring; Seat Ring	Rubber; Buna-N
7	Stuffing Box	C69300 Bronze; 12" 304SS
8	Packing	No Asbestos
9	Gland Follower	C69300 Bronze
10	Hinge (Double Key)	Ductile Iron ASTM A536
11 R	Disc Holder	3" Bronze; 4"-12" Gray Iron ASTM A126-B
12 R	Disc	Rubber; Nitrile
13 R	Disc Plate	3" 18-8 Stainless; 4"-12" C89833 or C87850 Bronze
14	Disc Bolt	3" Bronze; 4"-12" Gray Iron ASTM A126-B
15	Disc Bolt Nut	18-8 Stainless Steel F593, F594
16	O-ring; Disc Bolt	Rubber; Buna-N
17	Hinge Pin; Special	ASTM A 576 Grade 73; Tin/Electroless Nickel Plated
18	Lever	Steel
19	Key; Lever	Stainless Steel
20	Set Screw; Lever	Steel Plated
21	Key; Hinge	Stainless Steel; 12" Cold Worked
22	Set Screw; Weight	Steel-Plated
23	Cylinder Arm	Steel; 12" 1045 Steel
24	Hex Head Cap Screw; Cylinder	Steel
25	Bracket; Body Cylinder	Steel
26	Bracket; Outer	Steel
27	Bracket; Inner	Steel
28	Hydraulic Cylinder	Parker 4ML; Hydraulic/Pneumatic Cylinder
29	Bushing; Bracket	Steel
30	Clevis Rod End	Steel
31	Coupling Pins; Clevis	Pivot Point Pin
32	Set Screw; Cylinder Arm	Steel; Plated
33	Lockwasher; Bracket	Steel; Plated
34	Screw; Cylinder Bracket	Steel; Plated
35	Nut; Cylinder Bracket	Steel; Plated
36	Screw	Steel; Plated
37	Weight	Cast Iron