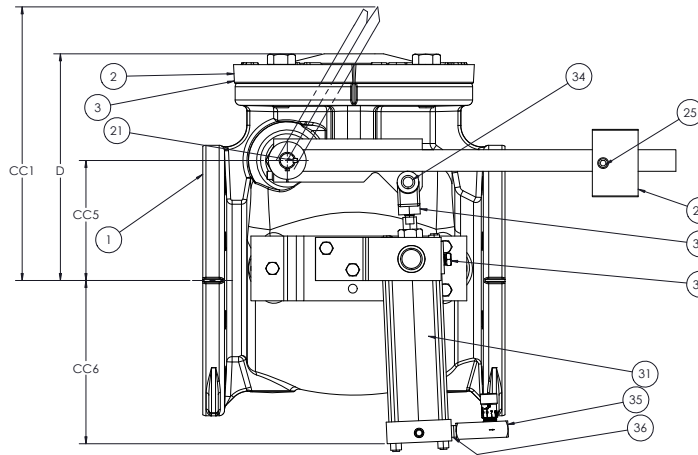
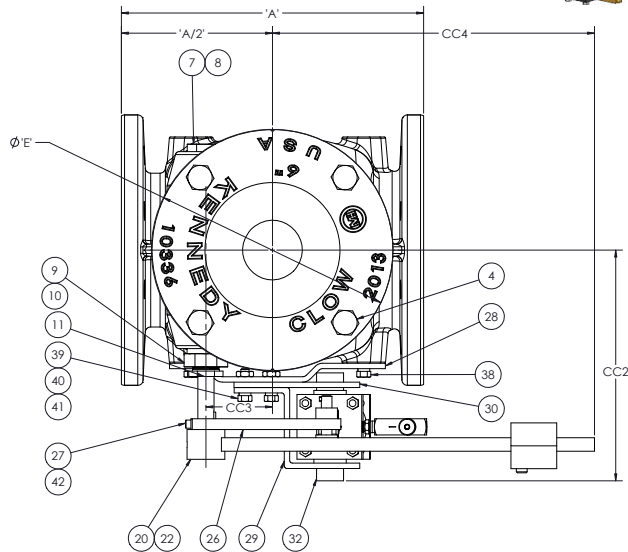
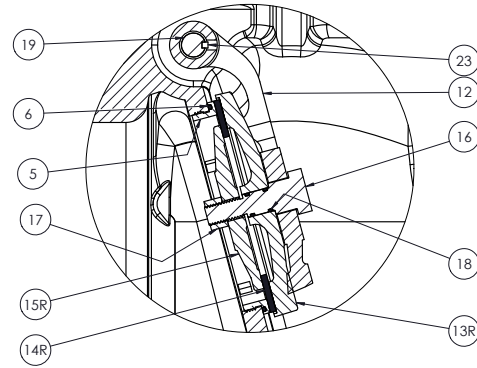
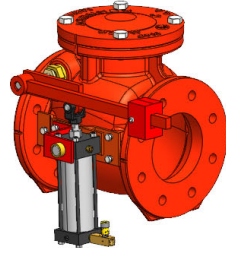




KENNEDY VALVE

AIR CUSHION CHECK VALVE SIZES 3" - 12"

Fig. 1206



DIMENSIONS									
SIZE	A	D	E	CC1	CC2	CC3	CC4	CC5	CC6
3"	9.5	7.5	6.6	13.77	7.60	2.03	11.5	3.32	8.20
4"	11.5	8.69	9.0	13.77	9.56	2.44	12	3.75	8.89
6"	14.0	10.51	11.00	19.28	10.38	3.31	18	5.00	7.52
8"	19.5	12.56	13.50	22.24	11.75	4.88	18	6.25	6.40
10"	24.5	14.07	16.75	23.62	13.68	6.19	18	7.12	11.46
12"	27.5	16.13	19.00	24.57	14.94	8.38	18	8.19	10.40

Dimensions approximate for checking clearances only
Allow clearance two sides to remove side plug and access hinge pin.

ASSEMBLY NOTES:

- 8" valve shown. 3"-12" valves available with resilient seat.
- Valve shown with cushion arrangement on right hand wise (facing inlet; left hand version available).
- Valve opening can be sudden. Install guards or otherwise assure that persons are well clear.
- Configuration for vertical installation features lever rotated 90 degrees in clockwise direction. Flow is upwards.
- 3" size features disc bolt integral to disc holder.

PARTS LIST			
SIZE	DESCRIPTION	MATERIAL	QTY.
1	Body	Gray Iron - ASTM A126-B	1
2	Cap	Gray Iron - ASTM A126-B	1
3	O-ring; Cap Flange	Rubber; Buna-N	1
4	Bolt; Cap	18-8 Stainless F593, F594	4
5	Seat Ring	C89833 or C87850 Bronze	1
6	O-ring; Seat Ring	Rubber; Buna-N	1
7	Side Plug	C69300 Bronze	1
8	O-ring; Side Plug	Rubber; EPDM	2
9	Stuffing Box	C69300 Bronze	1
10	Packing	Non-Asbestos	1
11	Gland Follower	C69300 Bronze	1
12	Hinge	Ductile Iron ASTM A536	1
13R	Disc Holder	3" Bronze; 4"-12" Gray Iron	1
14R	Disc	Rubber; Nitrile	1
15R	Disc Plate	3" 303/304SS; 4"-12" C89833 or C87850 Bronze	1
16	Disc Bolt	C69300 Bronze	1
17	Hex Nut	18-8 Stainless	1
18	O-ring; Disc Bolt	Rubber; Buna-N	2
19	Hinge Pin; Special (H.T.)	431 or 410 (Tin / Electrodeless Nickel Plating)	1
20	Lever	Steel	1
21	Key; Lever	Stainless Steel	1
22	Set Screw; Lever	Steel, Plated	1
23	Key; Hinge	Stainless Steel	1
24	Weight	Gray Iron - ASTM A126-B	1
25	Set Screw; Weight	Steel, Plated	1
26	Cylinder Arm	Steel	1
27	Set Screw; Cylinder Arm	Steel	1
28	Bracket; Body Cylinder	Steel	1
29	Bracket; Outer	Steel	1
30	Bracket; Inner	Steel	1
31	Air Cylinder	Per Catalogue	1
32	Bushing; Bracket	Bronze	2
33	Clevis Rod End	Iron, Steel	1
34	Coupling Pin; Clevis	Steel	1
35	Control Valve	Per Catalogue	1
36	Nipple	Brass	1
37	Muffler	Per Catalogue	1
38	Screw	Steel, Plated	3
39	Screw; Cylinder Bracket	Steel, Plated	2
40	Lock Washer; Bracket	Steel, Plated	5
41	Nut; Cylinder Bracket	Steel, Plated	2
42	Lock Washer	Steel, Plated	1