

KENNEDY K81 GUARDIAN FIRE HYDRANTS 5 1/4 & 4 1/2" MVO

K-81D - AWWA & UL/FM

**Guardian 5 1/4" Main Valve Opening with 6" & 8" Inlet Connection
2 - Hose Nozzles and 1 - Pumper Nozzle**



[Back to table of contents.](#)

Depth of Trench	6" Flange Shoe	6" MJ Shoe L/ ACC	6" MJ Shoe W/ ACC
1' 6"	\$3,881.00	\$3,881.00	\$3,955.00
2' 0"	\$3,983.00	\$3,983.00	\$4,057.00
2' 6"	\$4,085.00	\$4,085.00	\$4,159.00
3' 0"	\$4,187.00	\$4,187.00	\$4,261.00
3' 6"	\$4,289.00	\$4,289.00	\$4,363.00
4' 0"	\$4,391.00	\$4,391.00	\$4,466.00
4' 6"	\$4,493.00	\$4,493.00	\$4,567.00
5' 0"	\$4,595.00	\$4,595.00	\$4,669.00
5' 6"	\$4,697.00	\$4,697.00	\$4,771.00
6' 0"	\$4,799.00	\$4,799.00	\$4,873.00
6' 6"	\$4,901.00	\$4,901.00	\$4,975.00
7' 0"	\$5,003.00	\$5,003.00	\$5,077.00
7' 6"	\$5,106.00	\$5,106.00	\$5,179.00
8' 0"	\$5,208.00	\$5,208.00	\$5,281.00
8' 6"	\$5,310.00	\$5,310.00	\$5,383.00
9' 0"	\$5,412.00	\$5,412.00	\$5,485.00
9' 6"	\$5,513.00	\$5,513.00	\$5,587.00
10' 0"	\$5,615.00	\$5,615.00	\$5,689.00
10' 6"	\$5,719.00	\$5,719.00	\$5,791.00
11' 0"	\$5,820.00	\$5,820.00	\$5,894.00
11' 6"	\$5,921.00	\$5,921.00	\$5,996.00

For Straight Shoe..... Add \$331.00 to 6" MJ with Accessories
 For Tyton with Accessories..... Decuct \$27.00 from 6" MJ with Accessories
 For Tyton without Accessories..... Decuct \$72.00 from 6" MJ with Accessories
 For 8" with Accessories..... Add \$129.00 to 6" MJ with Accessories
 For 8" without Accessories..... Add \$42.00 to 6" MJ with Accessories

Guardian 4 1/2" Main Valve Opening with 4" and 6" Inlet Connection 2 - Hose Nozzles and 1 - Pumper Nozzle

Depth of Trench	6" FLG Shoe	6" MJ Shoe L/ ACC	6" MJ Shoe W/ ACC	4" MJ Shoe L/ ACC	4" MJ Shoe W/ ACC
1' 6"	\$3,809.00	\$3,809.00	\$3,884.00	\$3,796.00	\$3,872.00
2' 0"	\$3,889.00	\$3,889.00	\$3,962.00	\$3,875.00	\$3,951.00
2' 6"	\$3,966.00	\$3,966.00	\$4,041.00	\$3,954.00	\$4,030.00
3' 0"	\$4,046.00	\$4,046.00	\$4,120.00	\$4,032.00	\$4,108.00
3' 6"	\$4,124.00	\$4,124.00	\$4,198.00	\$4,111.00	\$4,187.00
4' 0"	\$4,204.00	\$4,204.00	\$4,277.00	\$4,190.00	\$4,266.00
4' 6"	\$4,281.00	\$4,281.00	\$4,356.00	\$4,269.00	\$4,345.00
5' 0"	\$4,361.00	\$4,361.00	\$4,435.00	\$4,348.00	\$4,424.00
5' 6"	\$4,438.00	\$4,438.00	\$4,514.00	\$4,427.00	\$4,503.00
6' 0"	\$4,518.00	\$4,518.00	\$4,592.00	\$4,505.00	\$4,581.00
6' 6"	\$4,598.00	\$4,598.00	\$4,671.00	\$4,584.00	\$4,660.00
7' 0"	\$4,676.00	\$4,676.00	\$4,750.00	\$4,663.00	\$4,739.00
7' 6"	\$4,756.00	\$4,756.00	\$4,829.00	\$4,741.00	\$4,817.00
8' 0"	\$4,833.00	\$4,833.00	\$4,907.00	\$4,819.00	\$4,895.00
8' 6"	\$4,910.00	\$4,910.00	\$4,986.00	\$4,897.00	\$4,973.00
9' 0"	\$4,988.00	\$4,988.00	\$5,065.00	\$4,975.00	\$5,051.00
9' 6"	\$5,068.00	\$5,068.00	\$5,144.00	\$5,053.00	\$5,129.00
10' 0"	\$5,145.00	\$5,145.00	\$5,223.00	\$5,131.00	\$5,207.00
10' 6"	\$5,222.00	\$5,222.00	\$5,301.00	\$5,209.00	\$5,285.00
11' 0"	\$5,300.00	\$5,300.00	\$5,380.00	\$5,287.00	\$5,363.00
11' 6"	\$5,380.00	\$5,380.00	\$5,459.00	\$5,365.00	\$5,441.00

Note: 4" inlet connetions are AWWA rated only.

**Add for 4" STORZ Connection \$566.00 ~ Add for 5" STORZ Connection \$665.00
 Add for each 6" increase in Depth of Trench beyond 11'6" (5-1/4 \$102.00 or 4-1/2 \$79.00)**

KENNEDY K81 GUARDIAN FIRE HYDRANTS 5 1/4 & 4 1/2" MVO



K-81D - AWWA & UL/FM

Guardian 5 1/4" Main Valve Opening with 6" & 8" Inlet Connection
2 - Hose Nozzles



[Back to table of contents.](#)

Depth of Trench	6" Flange Shoe	6" MJ Shoe L/ ACC	6" MJ Shoe W/ ACC
1' 6"	\$3,488.00	\$3,488.00	\$3,562.00
2' 0"	\$3,590.00	\$3,590.00	\$3,664.00
2' 6"	\$3,692.00	\$3,692.00	\$3,766.00
3' 0"	\$3,794.00	\$3,794.00	\$3,868.00
3' 6"	\$3,896.00	\$3,896.00	\$3,970.00
4' 0"	\$3,998.00	\$3,998.00	\$4,072.00
4' 6"	\$4,100.00	\$4,100.00	\$4,174.00
5' 0"	\$4,202.00	\$4,202.00	\$4,276.00
5' 6"	\$4,304.00	\$4,304.00	\$4,378.00
6' 0"	\$4,406.00	\$4,406.00	\$4,480.00
6' 6"	\$4,507.00	\$4,507.00	\$4,581.00
7' 0"	\$4,610.00	\$4,610.00	\$4,684.00
7' 6"	\$4,712.00	\$4,712.00	\$4,786.00
8' 0"	\$4,814.00	\$4,814.00	\$4,888.00
8' 6"	\$4,916.00	\$4,916.00	\$4,990.00
9' 0"	\$5,018.00	\$5,018.00	\$5,092.00
9' 6"	\$5,120.00	\$5,120.00	\$5,194.00
10' 0"	\$5,222.00	\$5,222.00	\$5,296.00
10' 6"	\$5,324.00	\$5,324.00	\$5,398.00
11' 0"	\$5,426.00	\$5,426.00	\$5,500.00
11' 6"	\$5,528.00	\$5,528.00	\$5,602.00

- For Straight Shoe..... Add \$331.00 to 6" MJ with Accessories
- For Tyton with Accessories..... Decuct \$27.00 from 6" MJ with Accessories
- For Tyton without Accessories..... Decuct \$72.00 from 6" MJ with Accessories
- For 8" with Accessories..... Add \$129.00 to 6" MJ with Accessories
- For 8" without Accessories..... Add \$42.00 to 6" MJ with Accessories

Guardian 4 1/2" Main Valve Opening with 6" and 4" Inlet Connection 2 - Hose Nozzles

[Back to table of contents.](#)

Depth of Trench	4" Flange Shoe	6" Flange Shoe	6" MJ Shoe L/ ACC	6" MJ Shoe W/ ACC	4" MJ Shoe L/ ACC	4" MJ Shoe W/ ACC
1' 6"	\$3,363.00	\$3,377.00	\$3,377.00	\$3,451.00	\$3,363.00	\$3,440.00
2' 0"	\$3,442.00	\$3,455.00	\$3,455.00	\$3,530.00	\$3,442.00	\$3,519.00
2' 6"	\$3,521.00	\$3,534.00	\$3,534.00	\$3,609.00	\$3,521.00	\$3,597.00
3' 0"	\$3,600.00	\$3,613.00	\$3,613.00	\$3,687.00	\$3,600.00	\$3,676.00
3' 6"	\$3,678.00	\$3,692.00	\$3,692.00	\$3,766.00	\$3,678.00	\$3,755.00
4' 0"	\$3,757.00	\$3,770.00	\$3,770.00	\$3,845.00	\$3,757.00	\$3,834.00
4' 6"	\$3,836.00	\$3,849.00	\$3,849.00	\$3,924.00	\$3,836.00	\$3,912.00
5' 0"	\$3,915.00	\$3,928.00	\$3,928.00	\$4,003.00	\$3,915.00	\$3,992.00
5' 6"	\$3,993.00	\$4,007.00	\$4,007.00	\$4,081.00	\$3,993.00	\$4,070.00
6' 0"	\$4,072.00	\$4,086.00	\$4,086.00	\$4,160.00	\$4,072.00	\$4,149.00
6' 6"	\$4,151.00	\$4,164.00	\$4,164.00	\$4,239.00	\$4,151.00	\$4,227.00
7' 0"	\$4,230.00	\$4,243.00	\$4,243.00	\$4,317.00	\$4,230.00	\$4,306.00
7' 6"	\$4,309.00	\$4,322.00	\$4,322.00	\$4,396.00	\$4,309.00	\$4,384.00
8' 0"	\$4,388.00	\$4,401.00	\$4,401.00	\$4,475.00	\$4,388.00	\$4,462.00
8' 6"	\$4,467.00	\$4,480.00	\$4,480.00	\$4,554.00	\$4,467.00	\$4,540.00
9' 0"	\$4,546.00	\$4,559.00	\$4,559.00	\$4,633.00	\$4,546.00	\$4,618.00
9' 6"	\$4,625.00	\$4,638.00	\$4,638.00	\$4,711.00	\$4,625.00	\$4,696.00
10' 0"	\$4,704.00	\$4,717.00	\$4,717.00	\$4,790.00	\$4,704.00	\$4,774.00
10' 6"	\$4,783.00	\$4,796.00	\$4,796.00	\$4,869.00	\$4,783.00	\$4,852.00
11' 0"	\$4,862.00	\$4,875.00	\$4,875.00	\$4,948.00	\$4,862.00	\$4,930.00
11' 6"	\$4,941.00	\$4,954.00	\$4,954.00	\$5,027.00	\$4,941.00	\$5,008.00

Add for 4" STORZ Connection \$566.00 ~ Add for 5" STORZ Connection \$665.00
Add for each 6" increase in Depth of Trench beyond 11'6" (5-1/4" \$102.00 or 4-1/2" \$79.00)

KENNEDY GUARDIAN FIRE HYDRANTS**K-81D - AWWA & UL/FM****K-81D Guardian 5 1/4" Main Valve Opening with 2 Pumpers
(4" inlet connections are not available.)**[Back to table of contents.](#)

Depth of Trench	6" FLANGE SHOE	6" MJ L/ACC	6" MJ W/ACC	6" TYTON L/GASKET	6" TYTON W/GASKET	6" STRAIGHT SHOE	8" MJ L/ACC	8" MJ W/ACC
1' 6"	\$3,709.00	\$3,709.00	\$3,783.00	\$3,711.00	\$3,755.00	\$4,114.00	\$3,870.00	\$3,912.00
2' 0"	\$3,811.00	\$3,811.00	\$3,885.00	\$3,813.00	\$3,857.00	\$4,216.00	\$3,972.00	\$4,014.00
2' 6"	\$3,913.00	\$3,913.00	\$3,987.00	\$3,915.00	\$3,959.00	\$4,318.00	\$4,074.00	\$4,116.00
3' 0"	\$4,015.00	\$4,015.00	\$4,089.00	\$4,017.00	\$4,061.00	\$4,420.00	\$4,176.00	\$4,218.00
3' 6"	\$4,117.00	\$4,117.00	\$4,191.00	\$4,120.00	\$4,164.00	\$4,522.00	\$4,278.00	\$4,320.00
4' 0"	\$4,219.00	\$4,219.00	\$4,293.00	\$4,222.00	\$4,266.00	\$4,624.00	\$4,380.00	\$4,422.00
4' 6"	\$4,321.00	\$4,321.00	\$4,395.00	\$4,324.00	\$4,368.00	\$4,727.00	\$4,482.00	\$4,524.00
5' 0"	\$4,423.00	\$4,423.00	\$4,497.00	\$4,426.00	\$4,470.00	\$4,827.00	\$4,584.00	\$4,626.00
5' 6"	\$4,525.00	\$4,525.00	\$4,599.00	\$4,528.00	\$4,572.00	\$4,931.00	\$4,686.00	\$4,728.00
6' 0"	\$4,627.00	\$4,627.00	\$4,701.00	\$4,630.00	\$4,674.00	\$5,033.00	\$4,788.00	\$4,830.00
6' 6"	\$4,730.00	\$4,730.00	\$4,804.00	\$4,732.00	\$4,776.00	\$5,135.00	\$4,891.00	\$4,933.00
7' 0"	\$4,832.00	\$4,832.00	\$4,906.00	\$4,834.00	\$4,878.00	\$5,237.00	\$4,993.00	\$5,035.00
7' 6"	\$4,934.00	\$4,934.00	\$5,008.00	\$4,936.00	\$4,980.00	\$5,339.00	\$5,095.00	\$5,137.00
8' 0"	\$5,036.00	\$5,036.00	\$5,110.00	\$5,038.00	\$5,082.00	\$5,441.00	\$5,197.00	\$5,239.00
8' 6"	\$5,138.00	\$5,138.00	\$5,212.00	\$5,140.00	\$5,184.00	\$5,543.00	\$5,299.00	\$5,341.00
9' 0"	\$5,240.00	\$5,240.00	\$5,314.00	\$5,242.00	\$5,286.00	\$5,645.00	\$5,401.00	\$5,443.00
9' 6"	\$5,342.00	\$5,342.00	\$5,416.00	\$5,344.00	\$5,388.00	\$5,747.00	\$5,503.00	\$5,545.00
10' 0"	\$5,444.00	\$5,444.00	\$5,518.00	\$5,446.00	\$5,490.00	\$5,849.00	\$5,605.00	\$5,647.00
10' 6"	\$5,546.00	\$5,546.00	\$5,620.00	\$5,548.00	\$5,592.00	\$5,951.00	\$5,707.00	\$5,749.00
11' 0"	\$5,648.00	\$5,648.00	\$5,722.00	\$5,650.00	\$5,694.00	\$6,053.00	\$5,809.00	\$5,851.00
11' 6"	\$5,750.00	\$5,750.00	\$5,824.00	\$5,752.00	\$5,796.00	\$6,155.00	\$5,911.00	\$5,953.00

**K-81D Guardian 4 1/2" Main Valve Opening with One Pumper
(8" inlet connections are not available.)**[Back to table of contents.](#)

Depth of Trench	4" OR 6" FLANGE	6" MJ L/ACC	6" MJ W/ACC	6" TYTON L/GASKET	6" TYTON W/GASKET	6" STRAIGHT SHOE	4" MJ L/ACC	4" MJ W/ACC
1'6"	\$3,218.00	\$3,232.00	\$3,306.00	\$3,234.00	\$3,278.00	\$3,636.00	\$3,218.00	\$3,294.00
2'0"	\$3,898.00	\$3,312.00	\$3,385.00	\$3,312.00	\$3,356.00	\$3,716.00	\$3,296.00	\$3,372.00
2'6"	\$3,376.00	\$3,390.00	\$3,464.00	\$3,390.00	\$3,434.00	\$3,794.00	\$3,376.00	\$3,452.00
3' 0"	\$3,468.00	\$3,468.00	\$3,543.00	\$3,470.00	\$3,514.00	\$3,874.00	\$3,468.00	\$3,530.00
3' 6"	\$3,546.00	\$3,546.00	\$3,622.00	\$3,550.00	\$3,594.00	\$3,952.00	\$3,546.00	\$3,610.00
4' 0"	\$3,626.00	\$3,626.00	\$3,700.00	\$3,628.00	\$3,672.00	\$4,032.00	\$3,626.00	\$3,688.00
4' 6"	\$3,704.00	\$3,704.00	\$3,779.00	\$3,708.00	\$3,752.00	\$4,110.00	\$3,704.00	\$3,768.00
5' 0"	\$3,782.00	\$3,782.00	\$3,859.00	\$3,786.00	\$3,830.00	\$4,188.00	\$3,782.00	\$3,846.00
5' 6"	\$3,862.00	\$3,862.00	\$3,937.00	\$3,864.00	\$3,908.00	\$4,268.00	\$3,862.00	\$3,926.00
6' 0"	\$3,940.00	\$3,940.00	\$4,016.00	\$3,944.00	\$3,988.00	\$4,346.00	\$3,940.00	\$4,004.00
6' 6"	\$4,020.00	\$4,020.00	\$4,095.00	\$4,022.00	\$4,066.00	\$4,426.00	\$4,020.00	\$4,082.00
7' 0"	\$4,098.00	\$4,098.00	\$4,174.00	\$4,100.00	\$4,146.00	\$4,504.00	\$4,098.00	\$4,162.00
7' 6"	\$4,176.00	\$4,176.00	\$4,251.00	\$4,178.00	\$4,224.00	\$4,582.00	\$4,176.00	\$4,238.00
8' 0"	\$4,254.00	\$4,254.00	\$4,330.00	\$4,256.00	\$4,302.00	\$4,660.00	\$4,254.00	\$4,316.00
8' 6"	\$4,332.00	\$4,332.00	\$4,409.00	\$4,334.00	\$4,380.00	\$4,738.00	\$4,332.00	\$4,394.00
9' 0"	\$4,410.00	\$4,410.00	\$2,242.00	\$4,412.00	\$4,458.00	\$4,816.00	\$4,410.00	\$4,472.00
9' 6"	\$4,488.00	\$4,488.00	\$2,281.00	\$4,490.00	\$5,336.00	\$4,894.00	\$4,488.00	\$4,550.00
10' 0"	\$4,566.00	\$4,566.00	\$2,320.00	\$4,568.00	\$4,614.00	\$4,972.00	\$4,566.00	\$4,628.00
10' 6"	\$4,644.00	\$4,644.00	\$2,359.00	\$4,646.00	\$4,692.00	\$5,050.00	\$4,644.00	\$4,706.00
11' 0"	\$4,722.00	\$4,722.00	\$2,398.00	\$4,724.00	\$4,770.00	\$5,128.00	\$4,722.00	\$4,784.00
11' 6"	\$4,800.00	\$4,800.00	\$2,437.00	\$4,802.00	\$4,848.00	\$5,206.00	\$4,800.00	\$4,862.00

LIST ADDERS APPLICABLE TO GUARDIAN K81D FIRE HYDRANTS[Back to table of contents.](#)**List Adder:**

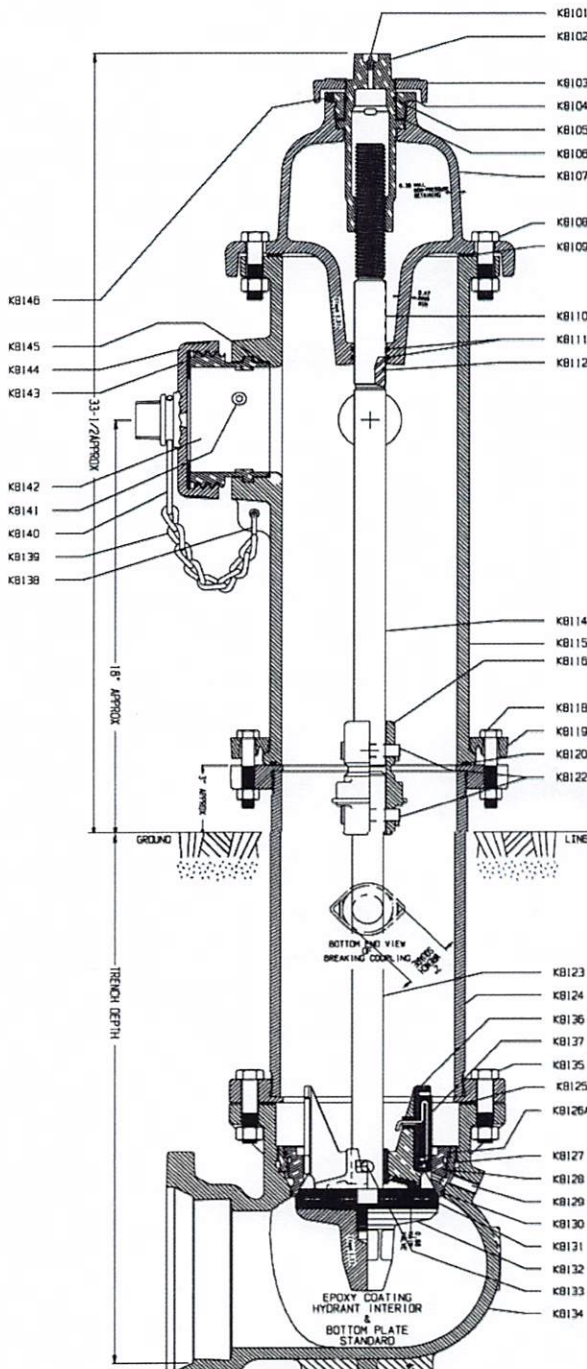
Patriot II Check Valve PT# 1650600 507SS		\$	1,294.00
Split Swivel Gland PT# 1060600SGMJACC needed and included with Patriot Check Valve.			
6" increase in Depth of Trench (beyond 11' 6")	4 1/2" MVO	\$	79.00
	5 1/4" MVO	\$	102.00
250 LB flange elbow with raised face (5 1/4" MVO only) (Straight or 90° only)		\$	146.00
	2200052 (Straight) 2316523 (90°)		
316 stainless steel elbow bolts and nuts		\$	112.00
Monitor Hydrant - 3" or 4" outlet		\$	1,866.00
▶ Note: (3" is UL and FM approved) (4" is FM approved only)			
▶ Note: Monitor elbows available for 5 1/4" main valve hydrants only.			
Tap Hole in Upper		\$	54.00
Mountain Hydrant (additional spool for deep snow areas) (5 1/4" MVO only)		\$	666.00
2 1/2" Jones Coupling Nozzle - each (2 required - PC# 3198442)		\$	260.00
2 1/2" Jones Coupling Cap		\$	360.00
Bliss Steamer Nozzle		\$	500.00
Bliss Steamer Cap		\$	400.00
Spanner Wrench (Fig 111P) PC# 446098P (1 1/2" pent.)		\$	80.00
Centering Spider 441986P : (1 1/2" Stem) 441985P : (1 1/4" Stem)		\$	250.00
Auxiliary Valve end flange accessory kit		\$	44.00
• (Kit includes extra end flanged bolts, nuts, and gaskets.)			
Tamper proof shield nut w/ set screw (PC# 3212114 nut & 444449P set-screw)		\$	210.00
Tamper proof wrench - 1 1/2" pent (PC# 446097P)		\$	440.00
Hand Wheel - 1 1/2" Pentagong (PC# 319530P)	Loose	\$	514.00
	Fixed 2199507	\$	600.00
STORZ Connection	4" = PC# 2186692	ADD: \$	566.00
	5" = PC# 2194772	ADD: \$	665.00
Special nozzle arrangements not listed			POA
2 1/2" FIG. 109XNS hydrant gate valve WITH cap, chain, gasket BOLT ON		\$	1,030.00
2 1/2" FIG. 109XMN hydrant gate valve LESS cap, chain, gasket THREADED		\$	1,030.00
2 1/2" FIG. 109XMNC hydrant gate valve WITH cap, chain, gasket THREADED		\$	1,100.00
▶ Note: 109's will be shipped & invoice separately			
Chain Crimping Tool:..... 446075P		\$	1,500.00

Guardian K81D Technical/Dimensional Data (AWWA-UL/FM)

TURNS TO OPEN = 15 1/2

[Page 2 of K81 Parts](#)

[Back to table of contents](#)

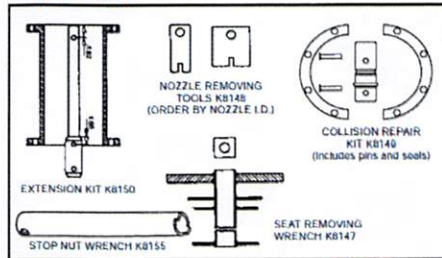


PARTS LIST

DETAIL	PART	MATERIAL	ASTM SPEC (or as stated)
	KB101	ALEMITE FITTING	STAINLESS STEEL A276 (304)
†	KB102	OPERATING STEM NUT	BRONZE B584 CB4400/AWWA GR A
	KB103	DIRT SHIELD	CAST IRON A126 CLASS B
	KB104	STEM LOCK NUT	BRONZE B584 CB4400/AWWA GR A
†	KB105	O-RING	VITON D2000
†	KB106	THRUST WASHER	NYLATRON GS MIL LP-410
	KB107	HYDRANT CAP	CAST IRON A126 CLASS B
	KB108	CAP BOLTS & NUTS	STEEL (ZINC PLATED) A 307/SAE GR 2
†	KB109	CAP GASKET	CLOTH INSERTED RUBBER D2000
*	KB110	STEM FERRULE	NAVAL BRASS B21-CDA 464
†	KB111	O-RING	BUNA-N (SYN. RUBBER) D2000
*	KB112	O-RING	BUNA-N (SYN. RUBBER) D2000
	KB114	UPPER STEM	C.F. STEEL A108
	KB115	UPPER BARREL	CAST IRON A126 CLASS B
	KB116	STEM BREAKING COUPLING	CAST IRON A126 CLASS B
	KB118	BOLTS & NUTS	STEEL (ZINC PLATED) A 307/SAE GR 2
	KB119	BREAKING RING	CAST IRON A126 CLASS B
	KB120	O-RING	BUNA-N (SYN. RUBBER) D2000
	KB122R	COUPLING PINS	STAINLESS STEEL 18-8
	KB123	LOWER STEM	C.F. STEEL A108
	KB124	LOWER BARREL	DUCTILE IRON (C.I. on request) ANSI 21.50, 21.51
†	KB125	ELBOW GASKET	CELLULOSE FIBER FED F339477M4
†	KB126A	O-RING	BUNA-N (SYN. RUBBER) D2000
*	KB127	SEAT RING INSERT	BRONZE B584 CB4400/AWWA GR A
†	KB128	SEAT RING	BRONZE B584 CB4400/AWWA GR A
	KB129	DRAIN TUBE	NAVAL BRASS B21-CDA 464
†	KB130	O-RING	BUNA-N (SYN. RUBBER) D2000
†	KB131	MAIN VALVE	EPDM W/STEEL INSERT D2000
	KB132	BOTTOM PLATE	CAST IRON A126 CLASS B
	KB133	DRAIN VALVE PIN	STEEL-302/304 STAINLESS A276 (304)
	KB134	ELBOW	DUTILE IRON A536 GRADE 70-50-S
	KB135	ELBOW BOLTS AND NUTS	STEEL-302/304 STAINLESS ASTM F593-304
	KB136	DRAIN VALVE	BRONZE B584 CB4400/AWWA GR A
†	KB137	DRAIN VALVE FACING W/INSERT	BUNA-N W/STAINLESS STEEL D2000/A276 (304)
	KB138	NOZZLE CHAIN 'S' HOOK	STEEL A108
	KB139	NOZZLE CAP CHAIN	STEEL A108
	KB140	NOZZLE CHAIN BAND	STEEL A108
†	KB141	NOZZLE RETAINING SCREW	STAINLESS STEEL A276 (304)
#	KB142	NOZZLE	BRONZE B584 C83600
#	KB143	NOZZLE CAP GASKET	RUBBER D2000 TYPE AA
#	KB144	NOZZLE CAP	CAST IRON A126 CLASS B
#	KB145	O-RING	BUNA-N (SYN. RUBBER) D2000
	KB146	ALLEN HEAD SET SCREW	STAINLESS STEEL A276 (410)
	KB147	SEAT REMOVAL WRENCH	
	KB148	NOZZLE REMOVAL TOOLS	
†	KB149	COLLISION REPAIR KIT	
	KB150	GRADE EXTENSION KIT	

* Denotes that part is available only as part of an assembly.
Must specify type of Nozzle, Hose or Steamer.
† Recommended spare parts.

Accessories



Style	Shoe Size	A	MARKINGS	
M.J.	4	7 3/4	FRONT YEAR	BACK SIZE
M.J.	6	8	KENNEDY U.S.A.	K.V. MCNEOGRAM KENNEDY
Flange	4	7 7/8	UL / FM	ELMIRA, NY
Flange	6	8 1/8	TYPE	AWWA
Tmon	6	9		

GUARDIAN FIRE HYDRANT PARTS K81D & K81A

[Back to table of contents.](#)
[Page 2 of Hydrant Parts](#)

Item #	Description	4 1/2"	Part #	5 1/4"	Part #
K-8101	Alemite Fitting	\$ 7.00	441670P	\$ 7.00	441670P
K-8102	Operating Stem Nut O/L Pent. 1 1/2"	\$ 243.00	3199502	\$ 243.00	3199502
	Operating Stem Nut O/R Pent. 1 1/2"	\$ 243.00	319950R	\$ 243.00	319950R
	Note: If other than NST please provide specs				
K-8103	Dirt Shield - O/L (Specify Color)	\$ 38.00	3212132	\$ 38.00	3212132
	Dirt Shield - O/R (Specify Color)	\$ 38.00	321213R	\$ 38.00	321213R
K-8104	Stem Lock Nut	\$ 75.00	3185944	\$ 75.00	3185944
**K-8105	O-Ring (Stem Nut)	\$ 11.00	442704P	\$ 11.00	442704P
K-8106	Thrust Washer	\$ 4.00	445843P	\$ 4.00	445843P
K-8107	Hydrant Cap (specify color when ordering)	\$ 370.00	3313922	\$ 386.00	3185962
K-8108	Cap Bolts (8 req. ea. 4 1/2") price per each	\$ 7.00	444352P		
	Cap Nuts (8 req. ea. 4 1/2") price per each	\$ 3.00	477495P		
	Cap Bolts (6 req. ea. 5 1/4") price per each			\$ 7.00	444357P
	Cap Nuts (6 req. ea. 5 1/4") price per each			\$ 3.00	477497P
*K-8109	Cap Gasket	\$ 22.00	441799P	\$ 22.00	441803P
*K-8109-O	Cap O-Ring (2009 models and above)	\$ 22.00	442772P	\$ 22.00	442794P
K-8110	Stem Ferrule is an integral part of the upper stem - not available as a separate part				
*K-8111	O-Ring (Cap) (2 req.)	\$9.00	442644P	\$9.00	442644P
K-8112	O-Ring (Stem Ferrule) is an integral part of the upper stem - not available as a separate part				
**K-8114	Upper Stem O/L	\$ 223.00	2310192	\$ 223.00	2310192
	Upper Stem O/R	\$ 223.00	2310193	\$ 223.00	2310193
K-8115	Upper Barrel K81D (3 way) specify color	\$ 892.00	3187732	\$ 1,089.00	3188022
	Upper Barrel K81D (2 way) specify color	\$ 892.00	3187742	\$ 1,089.00	3188052
	Upper Barrel K81A (3 way) specify color	\$ 892.00	3313932	\$ 1,089.00	3187522
	Upper Barrel K81A (2 way) specify color	\$ 892.00	3187552	\$ 1,089.00	3187432
K-8116	Stem Breaking Coupling	\$ 108.00	318563P	\$ 108.00	318563P
K-8118	Breaking FLG. Bolts (8 req.) price each	\$ 9.00	444339P	\$ 9.00	444339P
	Breaking FLG. Nuts (8 req.) price each	\$ 5.00	442482P	\$ 5.00	442482P
K-8119	Breaking Ring (2 req.) price each	\$ 58.00	340413B	\$ 58.00	340415B
	Breaking Ring Straps (2 req.) price each	\$ 4.00	441416p	\$ 4.00	441414P
K-8120	O-Ring (Standpipe)	\$ 22.00	441666P	\$ 22.00	441664P
k-8121	Clevis Pin	\$ 12.00	443012P	\$ 12.00	443012P
K-8122R	Coupling Pins (2 req.) price each	\$ 18.00	443022P	\$ 18.00	443022P
K-8123	Lower Stem 5' 0" Trench or less	\$ 223.00	***	\$ 223.00	***
	ADD for each additional 6" increase of depth	\$ 21.00	***	\$ 21.00	***
	Nylon Pin (comes on lower stem threads)	\$ 8.00	445913P	\$ 8.00	445913P
K-8124	Lower Barrel 5' 0" Trench or less	\$ 1,089.00	***	\$ 1,089.00	***
	ADD for each additional 6" increase of depth	\$ 129.00	***	\$ 129.00	***
*K-8125	Elbow Flat Gasket	\$ 22.00	441800P	\$ 22.00	441805P
*K-8125-O	Elbow O-Ring (2009 models and above)	\$ 22.00	442793P	\$ 22.00	442767P
*K-8126A	O-Ring (Upper Seat)	\$ 12.00	442660P	\$ 12.00	442658P
K-8126B	O-Ring for 4 1/2" MVO only	\$ 10.00	442789P	N/A	N/A
K-8127	Seat Ring Insert for 4 1/2" MVO only	\$ 141.00	3313973	N/A	N/A
*K-8128	Seat Ring	\$ 251.00	3313962	\$ 317.00	3196772
K-8129	Drain Tube (2 req.) price per each	\$ 7.00	440555P	\$ 7.00	440555P
K-8130	O-Ring (Lower Seat)	\$ 12.00	442785P	\$ 12.00	442740P
K-8131	Main Valve	\$ 148.00	445906P	\$ 179.00	445904P
K-8132	Bottom Plate	\$ 80.00	3185805	\$ 103.00	3316399
K-8133	Drain Valve Pin	\$ 18.00	442949P	\$ 18.00	442949P
K-8134	4" MJ Elbow for 4 1/2" MVO only	\$ 708.00	2316423	N/A	N/A
	4" FL Elbow for 4 1/2" MVO only	\$ 708.00	3316432	N/A	N/A
K-8134	6" MJ Elbow	\$ 862.00	2313916	\$ 1,251.00	2215632
	6" Flanged Elbow	\$ 862.00	2310192	\$ 1,251.00	2200025
	6" Tyton Elbow	\$ 862.00	2310235	\$ 1,251.00	2310235
K-8135	Elbow SS Bolts (8 req. Ea.) price per each	\$ 10.00	460032P	\$ 10.00	460241P
	Elbow SS Nuts (8 req. Ea.) price per each	\$ 3.00	460218P	\$ 3.00	460212P

* Recommend Spare Parts

** Need Direction of Open

*** Part Number Changes Based on Specs. (Nut size, trench depth, end conj., thread spec. etc.)

GUARDIAN FIRE HYDRANT PARTS K81D & K81A

[Page one of K81 Parts](#)

[Back to table of contents.](#)

[Page 3 of K81 Parts](#)

Item #	Description	4 1/2"	Part #	5 1/4"	Part #
K-8136	Drain Valve	\$ 200.00	2313992	\$ 280.00	2316152
K-8137	Drain Valve Facing	\$ 25.00	443404P	\$ 25.00	443404P
K-8138	S-Hook - Chain to Upper	\$ 10.00	442159P	\$ 10.00	442159P
K-8139	Chain w/Bands - 3 Way	\$ 36.00	440711P	\$ 36.00	440711P
K-8139	Chain w/Bands - 2 Way	\$ 32.00	440712P	\$ 32.00	440712P
K-8140	Hose Nozzle (each) 2 1/2" NST - 3187382	\$ 138.00	***	\$ 138.00	***
*K-8141	Nozzle Retaining Set Screw (no charge item with nozzle)	\$ 7.00	443500P	\$ 7.00	443500P
K-8142	Steamer Nozzle (Pumper)	\$ 303.00	***	\$ 303.00	***
Part codes for NST pumper nozzles →		4 1/2" NST - 3194772		4" NST - 3194782	
K-8143	Nozzle Cap Gasket - 2 1/2" Hose	\$ 10.00	441790P	\$ 10.00	441790P
	Nozzle Cap Gasket - 4 1/2" Steamer	\$ 19.00	441796P	\$ 19.00	441796P
	Nozzle Cap Gasket - 4" Steamer	\$ 19.00	441794P	\$ 19.00	441794P
K-8144	Nozzle Cap 2 1/2" NST (specify color when ordering)	\$ 87.00	3200212	\$ 87.00	3200212
	Nozzle Cap 4" (specify color when ordering) NST	\$ 210.00	3200222	\$ 210.00	3200222
	Nozzle Cap 4 1/2" NST (specify color when ordering)	\$ 210.00	3200232	\$ 210.00	3200232
K-8145	O-Ring (Hose 2 1/2") (no charge item with nozzle)	\$ 5.00	442788P	\$ 5.00	442788P
	O-Ring (Steamer 4" - 4 1/2") (no charge item with nozzle)	\$ 12.00	442790P	\$ 12.00	442790P
K-8146	Allen Screw (Set Screw for Stem Lock Nut)	\$ 5.00	444438P	\$ 5.00	444438P
K-8147	Seat Removing Wrench	\$ 451.00	446070P	\$ 451.00	446070P
	Wrench Nut O/L	\$ 85.00	3145254	\$ 85.00	3145254
	Wrench Nut O/R	\$ 85.00	3145255	\$ 85.00	3145255
K-8148	Nozzle Wrench (Hose) 2 1/2"	\$ 149.00	3310372	\$ 149.00	3310372
	Nozzle Wrench (Hose) 2 1/4"	\$ 149.00	3310374	\$ 149.00	3310374
	Nozzle Wrench (Steamer) 4"	\$ 182.00	3310392	\$ 182.00	3310392
	Nozzle Wrench (Steamer) 4 1/2"	\$ 182.00	3310382	\$ 182.00	3310382
K-8155	Stop Nut Wrench	\$ 300.00	446131P	\$ 300.00	
	Stop Nut (optional)	\$ 105.00	3313374	\$ 105.00	
	Clarion Grease 12 oz. Cartridge	\$ 30.00	467133T	\$ 30.00	
	Dirt Shield/Stem Lock Nut Wrench	\$ 87.00	446132P	\$ 87.00	

- * Recommended Spare Parts
- ** Need Direction of Open
- *** Part Number Changes Based on Specs. (Nut size, trench depth, end conj., thread spec. etc.)

K-8151	K81 Main Valve Kit - 4 1/2"	\$ 383.00	1583MVRKRNC	
	K81 Main Valve Kit - 5 1/4"	\$ 510.00	1585MVRKRNC	
	▶ NOTE: Kit includes seat ring, main valve, upper and lower seat o-rings, and bottom plate.			
K-8152	K81 Elbow Repair Kit - 4 1/2"	\$ 386.00	1583ERKRNC	
	K81 Elbow Repair Kit - 5 1/4"	\$ 440.00	1585ERKRNC	
	▶ NOTE: Kit includes elbow gasket, main valve upper and lower seat o-rings, and bottom plate, drain valve facing, all bolts & nuts for the elbow and Nevastane grease.			
K-8149	Collision Repair Kit - 4 1/2"	\$ 356.00	1583C00R1X81ZB	
	Collision Repair Kit - 5 1/4"	\$ 356.00	1585C00R1X81ZB	
	▶ NOTE: Kit includes 2 breaking rings, 2 coupling pins, one coupling, and one gasket			
K-1853	Bonnet Replacement Kit - 4 1/2"	\$ 975.00	1583BREPLKRNC	
	Bonnet Replacement Kit - 5 1/4"	\$ 1,050.00	1585BREPLKRNC	
	▶ NOTE: Kit includes op-nut w/o-ring & thrust washer, dirt shield, upper stem, stem lock nut & set screw, hydrant dome w/o-rings, bolts & nuts, and one tube Nevastane grease. Important: Please specify color on all orders.			

Upper Standpipe Complete - From ground line up:	4 1/2"	5 1/4"
2 hose only	\$1,447.00	\$1,704.00
2 hose and 1 steamer only	\$1,787.00	\$2,118.00

▶ **NOTE:** (If dome assembly is not required, deduct 180.00 from list)

K81 HYDRANT EXTENSIONS/ PARTS

[Back to table of contents.](#)

EXTENSION KITS

Item # K-8150	Size	5 1/4"	Part Number
	6"	\$787.00	1585006R2X81DDI
	12"	\$919.00	1585012R2X81DDI
	18"	\$1,043.00	1585018R2X81DDI
	24"	\$1,133.00	1585024R2X81DDI
	30"	\$1,665.00	1585030R2X81DDI
	36"	\$1,786.00	1585036R2X81DDI
	42"	\$1,860.00	1585042R2X81DDI
	48"	\$2,213.00	1585048R2X81DDI
	54"	\$2,383.00	1585054R2X81DDM
	60"	\$2,426.00	1585060R2X81DDM
Size	4 1/2"	Part Number	
	6"	\$705.00	1583006R2X81DDI
	12"	\$828.00	1583012R2X81DDI
	18"	\$888.00	1583018R2X81DDI
	24"	\$976.00	1583024R2X81DDI
	30"	\$1,620.00	1583030R2X81DDI
	36"	\$1,740.00	1583036R2X81DDI
	42"	\$1,755.00	1583042R2X81DDM
	48"	\$1,848.00	1583048R2X81DDM
	54"	\$2,000.00	1583054R2X81DDM
	60"	\$20,043.00	1583060R2X81DDM

EXTENSION PARTS

INCLUDED IN ALL EXTENSIONS			PART#	COST	ALL INTERNAL PARTS	
QTY.					COST:	\$183.00
1	EXTENSION COUPLING		318550P	\$108.60		
2	COUPLING PIN		443025P	\$20.33	PART#	158412581EKITLSS
1	O-RING		441664P	\$21.87		
2	GASKET		441803P	\$21.17	(Does not include Spool or Stem)	
8	NUT (each)		442482P	\$4.14		
8	BOLT (each)		444339P	\$8.25		
1	SPOOL			POA		
1	STEM			POA		

6" EXTENSION		12" EXTENSION		18" EXTENSION	
SPOOL 41/2	2315602	SPOOL 41/2	2315612	SPOOL 41/2	2315622
SPOOL 51/4	2315702	SPOOL 51/4	2315712	SPOOL 51/4	2315722
STEM	3199792	STEM	3199802	STEM	3199812

24" EXTENSION		30" EXTENSION		36" EXTENSION	
SPOOL 41/2	2315632	SPOOL 41/2	2315642	SPOOL 41/2	2315652
SPOOL 51/4	2315732	SPOOL 51/4	2315742	SPOOL 51/4	2315752
STEM	3199832	STEM	3199842	STEM	3199872

42" EXTENSION	
SPOOL 41/2	2315662
SPOOL 51/4	2315762
STEM	3199873