

AWWA C-509 KS-FW RESILIENT SEATED GATE VALVES

			Back to table of contents.				
	FIG 8057 SCREWED ENDS		FIG 8068A FLG X FLG OS&Y	FIG 8561A FLANGED ENDS		FIG 8597 PVC ENDS WITH GASKETS	
SIZE	PRICE	WEIGHT		PRICE	WEIGHT	PRICE	WEIGHT
2"	\$714.00	20#	See UL/FM	\$732.00	42#	\$761.00	35#
2 1/2"	\$884.00	34#	price book for	\$874.00	49#	\$1,043.00	44#
3"	\$1,053.00	47#	and discount for	\$1,038.00	62#	\$1,112.00	54#
4"			2 1/2" - 12"	\$1,160.00	99#	\$1,273.00	84#
6"			gate valves.	\$1,550.00	142#	\$1,648.00	138#
8"				\$2,423.00	239#	\$2,598.00	224#
10"				\$3,850.00	409#		
12"				\$4,649.00	554#		

	FIG 8571 MJ X MJ WITH ACCESS		FIG 8571 MJ X MJ LESS ACCESS		FIG 8572 FLG X MJ WITH ACCESS		FIG 8572 FLG X MJ LESS ACCESS	
SIZE	PRICE	WEIGHT	PRICE	WEIGHT	PRICE	WEIGHT	PRICE	WEIGHT
2"	\$835.00	46#	\$740.00	36#	\$1,017.00	65#	\$994.00	60#
3"	\$1,094.00	69#	\$1,048.00	59#	\$1,191.00	88#	\$1,117.00	90#
4"	\$1,251.00	102#	\$1,170.00	86#	\$1,563.00	146#	\$1,493.00	134#
6"	\$1,620.00	158#	\$1,493.00	134#	\$2,435.00	229#	\$2,333.00	214#
8"	\$2,520.00	237#	\$2,378.00	207#	\$3,831.00	382#	\$3,708.00	365#
10"	\$3,917.00	387#	\$3,708.00	351#	\$4,738.00	522#	\$4,477.00	497#
12"	\$4,951.00	523#	\$4,692.00	473#				

	FIG 8576 CUTTING-IN WITH ACCESS		FIG 8576 CUTTING-IN LESS ACCESS		FIG 8950 MJ X FLG TAP - WITH ACCESS		FIG 8950 MJ X FLG TAP - LESS ACCESS	
SIZE	PRICE	WEIGHT	PRICE	WEIGHT	PRICE	WEIGHT	PRICE	WEIGHT
4"	\$1,649.00	103#	\$1,614.00	87#	\$1,563.00	101#	\$1,476.00	93#
6"	\$2,243.00	158#	\$2,204.00	134#	\$2,166.00	155#	\$2,085.00	145#
8"	\$3,478.00	237#	\$3,430.00	207#	\$3,213.00	240#	\$3,095.00	225#
10"	\$5,148.00	387#	\$4,920.00	351#	\$4,810.00	411#	\$4,667.00	393#
12"	\$6,496.00	523#	\$6,210.00	473#	\$7,352.00	553#	\$7,050.00	528#

	FIG 8067 SCREWED END OS&Y				
SIZE	PRICE	WEIGHT			
2"	\$912.00	30#			
2 1/2"	\$1,144.00	50#			
3"	\$1,332.00	70#			

Figure 8057 Furnished with operating nut unless wheel is specified.

Figure 8561A Furnished with wheel unless operating nut is specified

and does not include bolts, nuts & gaskets for flange side.

All other NRS figure numbers furnished with operating nuts.

AWWA C-509 KS-FW RESILIENT SEATED GATE VALVES

[Back to table of contents.](#)

FIG 8901 SLIP JT X SLIP JT (TYTON) LESS GASKETS			FIG 8901 SLIP JT X SLIP JT (TYTON) WITH GASKETS		
SIZE	PRICE	WEIGHT	SIZE	PRICE	WEIGHT
4"	\$1,201.00	82#	4"	\$1,275.00	83#
6"	\$1,581.00	139#	6"	\$1,648.00	141#
8"	\$2,402.00	217#	8"	\$2,627.00	221#
10"	\$3,880.00	359#	10"	\$4,017.00	363#
12"	\$4,863.00	501#	12"	\$5,028.00	505#

FIG 8902 SLIP JT X FLG (TYTON) LESS GASKETS			FIG 8902 SLIP JT X FLG (TYTON) WITH GASKETS		
SIZE	PRICE	WEIGHT	SIZE	PRICE	WEIGHT
4"	\$1,180.00	85#	4"	\$1,210.00	86#
6"	\$1,555.00	139#	6"	\$1,599.00	140#
8"	\$2,458.00	220#	8"	\$2,515.00	222#
10"	\$3,865.00	372#	10"	\$3,934.00	376#
12"	\$4,756.00	514#	12"	\$4,840.00	518#

TYTON GASKET PART CODES	
4"	441875P
6"	441879P
8"	441881P
10"	441883P
12"	441885P

PALLET QUANTITIES				
SIZE	NRS WITH WHEEL	NRS WITH NUT	OS&Y	CHECK VALVES
2"	36	84	N/A	36
2 1/2"	36	56	36	30
3"	30	36	30	20
4"	30	30	24	12
6"	16	16	10	9
8"	8	8	8	4
10"	6	6	6	4
12"	4	6	4	4

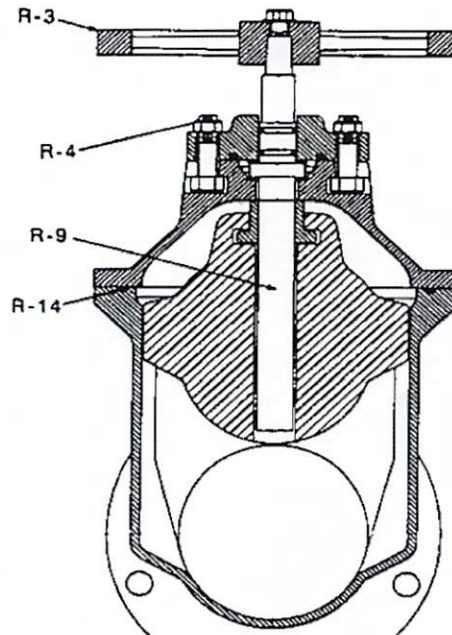
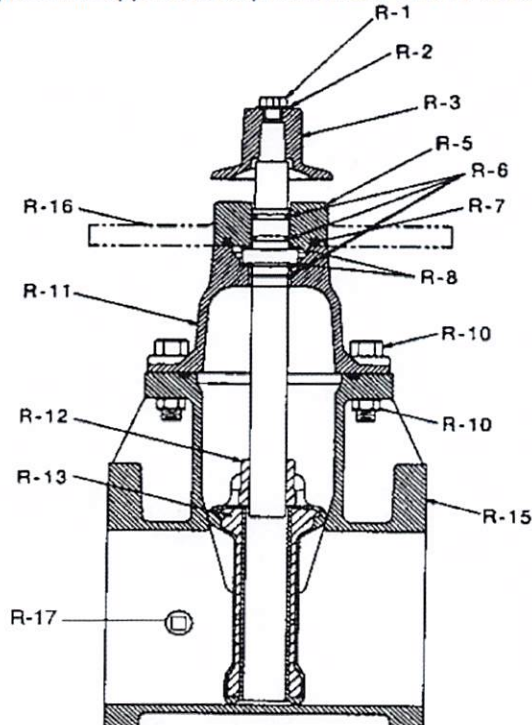
[Back to table of contents](#)



Complies with applicable requirements of AWWA C509

**RESILIENT SEAT GATE VALVE
N.R.S. ASSEMBLY
KS-FW**

KENNEDY VALVE MODEL KS-FW



PIPE PLUG STANDARD ON FLANGE & GROOVE VALVES @ POSITION "A"

DET.	NAME OF PART	MATERIAL	ASTM SPEC.	
R-1	Hex Head Bolt	Stainless Steel	ASTM F593C	
R-2	Flat Washer	Zinc Plated Steel	ASTM A307	
R-3	Operating Nut	Cast Iron	ASTM A126 Class B	
	Handwheel	Cast Iron	ASTM A126 Class B	
R-4	Hex Bolt & Nut	Stainless Steel	ASTM F593C/F594	
R-5	Stuffing Box	2" thru 8"	Cast Iron	ASTM A126 Class B
		10" and 12"	Ductile Iron	ASTM A536 Grade 70-50-5
R-6	O-Ring (Stem)	Buna - N	-----	
R-7	O-Ring (Stuffing Box)	Buna - N	-----	
R-8	Thrust Washer	Delrin	-----	
R-9	Stem	Bronze	ASTM B584 C86700	
R-10	Hex Head Cover Bolts & Nuts	Stainless Steel	ASTM F593C/F594	
R-11	Cover	Cast Iron	ASTM A126 Class B	
R-12	Stem Nut	Bronze (NDZ)	ASTM B763 C99500	
R-13	Wedge (EPDM Encapsulated)	Ductile Iron	ASTM A536 Grade 70-50-5	
R-14	O-Ring (Cover)	Buna - N	-----	
R-15	Body (All Types)	Cast Iron	ASTM A126 Class B	
R-16	Plate	Cast Iron	ASTM A126 Class B	
R-17	Pipe Plug: 1/2"; 2 1/2"-4"--3/4"; 6"-12"	Galvanized Steel	-----	

AWWA C-509 KS-FW NRS RESILIENT SEATED GATE VALVE PARTS[Back to table of contents.](#)

Item #	Description	2"	Part #	2 1/2"	Part#	3"	Part #
R-1	Hold down Hex Bolt	\$ 6.00	460237P	\$ 6.00	460237P	\$ 6.00	460237P
R-2	Hold down Bolt Washer	\$ 2.00	445794P	\$ 2.00	445794P	\$ 2.00	445794P
R-3	Operating Nut O/L	\$ 28.00	328080&	\$ 28.00	328080&	\$ 28.00	328081&
	Operating Nut O/R	\$ 28.00	328085&	\$ 28.00	328085&	\$ 28.00	328086&
	Hand wheel O/L	\$ 82.00	328782&	\$ 82.00	328782&	\$ 82.00	328783&
	Hand wheel O/R	\$ 82.00	3287625	\$ 82.00	3287625	\$ 82.00	3287635
R-4	Stuffing Box Bolts	\$ 3.00	460231P	\$ 3.00	460231P	\$ 3.00	460269P
	Stuffing Box Nuts	\$ 3.00	460218P	\$ 3.00	460218P	\$ 3.00	460218P
R-5	Stuffing Box	\$ 29.00	3301812	\$ 29.00	3301812	\$ 50.00	3301822
R-6	Stem O Ring	\$ 3.00	442638P	\$ 3.00	442638P	\$ 3.00	442550P
R-7	Stuffing Box O Ring	\$ 6.00	442652P	\$ 6.00	442652P	\$ 7.00	442732P
R-8	Thrust Washer	\$ 2.00	445932P	\$ 2.00	445932P	\$ 2.00	445933P
R-9	Stem O/L	\$ 129.00	3280302	\$ 129.00	3280302	\$ 267.00	3280312
	Stem O/R	\$ 129.00	3280303	\$ 129.00	3280303	\$ 267.00	3280313
R-10	Cover Hex Bolts	\$ 3.00	460269P	\$ 3.00	460269P	\$ -	460269P
	Cover Nuts	\$ 3.00	460218P	\$ 3.00	460218P	\$ -	460218P
R-11	Cover	\$ 239.00	3318044	\$ 239.00	3318054	\$ 324.00	3317064
R-12	Stem Nut O/L	\$ 65.00	3281908	\$ 65.00	3281908	\$ 69.00	3281918
	Stem Nut O/R	\$ 65.00	3281909	\$ 65.00	3281909	\$ 69.00	3281919
R-13	Wedge	\$ 210.00	2280982	\$ 253.00	2280992	\$ 277.00	2281002
R-14	Cover O Ring	\$ 8.00	442737P	\$ 11.00	442752P	\$ 16.00	442753P
R-15	Body-**Part #'s avail. on request	\$ 587.00	**	\$ 668.00	**	\$ 706.00	**
R-16	Stuffing Box Plate (UL/FM)	N/A	N/A	N/A	N/A	\$ 224.00	3281872
R-17	Plug	N/A	N/A	\$ 8.00	443475P	\$ 8.00	443475P

Item #	Description	4"	Part #	6"	Part #	8"	Part #
R-1	Hold down Hex Bolt	\$ 6.00	460237P	\$ 6.00	444385P	\$ 6.00	444385P
R-2	Hold down Bolt Washer	\$ 2.00	445794P	\$ 2.00	445832P	\$ 2.00	445832P
R-3	Operating Nut O/L	\$ 28.00	328081&	\$ 28.00	328082&	\$ 28.00	328083&
	Operating Nut O/R	\$ 28.00	328086&	\$ 28.00	328087&	\$ 28.00	328088&
	Hand wheel O/L	\$ 82.00	328783&	\$ 149.00	328786&	\$ 149.00	328788&
	Hand wheel O/R	\$ 82.00	3287635	\$ 149.00	3287665	\$ 149.00	3287685
R-4	Stuffing Box Bolts	\$ 3.00	460301P	\$ 3.00	460241P	\$ 3.00	460242P
	Stuffing Box Nuts	\$ 3.00	460212P	\$ 3.00	460212P	\$ 3.00	460212P
R-5	Stuffing Box	\$ 55.00	3301832	\$ 56.00	3301842	\$ 70.00	3301852
R-6	Stem O Ring	\$ 3.00	442550P	\$ 7.00	442563P	\$ 7.00	442542P
R-7	Stuffing Box O Ring	\$ 7.00	442732P	\$ 7.00	442561P	\$ 7.00	442561P
R-8	Thrust Washer	\$ 2.00	445933P	\$ 3.00	445936P	\$ 3.00	445938P
R-9	Stem O/L	\$ 282.00	3280322	\$ 382.00	3280332	\$ 515.00	3280342
	Stem O/R	\$ 282.00	3280323	\$ 382.00	3280333	\$ 515.00	3280343
R-10	Cover Hex Bolts	\$ 3.00	460269P	\$ 3.00	460242P	\$ 3.00	460243P
	Cover Nuts	\$ 3.00	460218P	\$ 3.00	460212P	\$ 3.00	460212P
R-11	Cover	\$ 363.00	3318084	\$ 401.00	3318124	\$ 453.00	3318164
R-12	Stem Nut O/L	\$ 69.00	3281918	\$ 124.00	3281928	\$ 143.00	3281938
	Stem Nut O/R	\$ 69.00	3281919	\$ 124.00	3281929	\$ 143.00	3281939
R-13	Wedge	\$ 339.00	2280932	\$ 429.00	2280942	\$ 646.00	2280952
R-14	Cover O Ring	\$ 18.00	442754P	\$ 19.00	442562P	\$ 22.00	442662P
R-15	Body-**Part #'s avail. on request	\$ 811.00	**	\$ 1,193.00	**	\$ 1,565.00	**
R-16	Stuffing Box Plate (UL/FM)	\$ 224.00	3281872	\$ 224.00	3281882	\$ 224.00	3281883
R-17	Plug	\$ 8.00	443475P	\$ 8.00	443488P	\$ 8.00	443488P

AWWA C-509 KS-FW NRS RESILIENT SEATED GATE VALVE PARTS[Back to table of contents.](#)

Item #	Description	10"	Part #	12"	Part #
R-1	Hold down Hex Bolt	\$ 7.00	460228P	\$ 7.00	460228P
R-2	Hold down Bolt Washer	\$ 3.00	445832P	\$ 3.00	445832P
R-3	Operating Nut O/L	\$ 29.00	328084&	\$ 29.00	328084&
	Operating Nut O/R	\$ 29.00	328089&	\$ 29.00	328089&
	Hand wheel O/L	\$ 299.00	328790&	\$ 299.00	328790&
	Hand wheel O/R	\$ 299.00	3287705	\$ 299.00	3287705
R-4	Stuffing Box Bolts	\$ 7.00	460233P	\$ 7.00	460233P
	Stuffing Box Nuts	\$ 5.00	460234P	\$ 5.00	460234P
R-5	Stuffing Box	\$ 90.00	3301862	\$ 90.00	3301862
R-6	Stem O Ring	\$ 7.00	442644P	\$ 7.00	442644P
R-7	Stuffing Box O Ring	\$ 7.00	442743P	\$ 7.00	442743P
R-8	Thrust Washer	\$ 4.00	445940P	\$ 4.00	445940P
R-9	Stem O/L	\$ 734.00	3280352	\$ 921.00	3280362
	Stem O/R	\$ 734.00	3280353	\$ 921.00	3280363
R-10	Cover Hex Bolts	\$ 4.00	460244P	\$ 4.00	460389P
	Cover Nuts	\$ 3.00	460212P	\$ 3.00	460212P
R-11	Cover	\$ 797.00	3318204	\$ 1,107.00	3318244
R-12	Stem Nut O/L	\$ 182.00	3281948	\$ 182.00	3281948
	Stem Nut O/R	\$ 182.00	3281949	\$ 182.00	3281949
R-13	Wedge	\$ 983.00	2280962	\$ 1,298.00	2280972
R-14	Cover O Ring	\$ 29.00	442746P	\$ 33.00	442766P
R-15	Body-**Part #'s avail. on request	\$ 2,596.00	**	\$ 3,416.00	**
R-16	Stuffing Box Plate (UL/FM)	\$ 224.00	3281892	\$ 224.00	3281892
R-17	Plug	\$ 8.00	443488P	\$ 8.00	443488P