

AWWA C 508 SWING CHECK VALVES - IRON BODY & BRONZE MOUNTED

* Epoxy Coating I.D. and O.D. Now Standard on All Check Valves

[Back to table of contents.](#)

AWWA AIR CUSHIONED CHECK VALVES - IRON BODY & BRONZE MOUNTED

1206A Flanged, rubber faced disc with Lever and Weight Only
1206 Flanged, with bronze faced disc with Lever and Weight Only

SIZE	PRICE	WEIGHT 1206	WEIGHT 1206A
3"	\$5,065.00	90#	92#
4"	\$5,841.00	150#	157#
6"	\$6,551.00	226#	226#
8"	\$8,441.00	402#	412#
10"	\$12,291.00	613#	625#
12"	\$17,795.00	862#	876#

► Note: Must denote horizontal or vertical application at time of order.

INCREASING TYPE CHECK VALVES - FLANGED & RUBBER FACED ONLY

SIZE	Style 1306A	Style 1306AW Lever & Weight	Style 1306AS Lever & Spring
4" x 6"	\$2,659.00	\$3,712.00	\$3,712.00
4" x 8"	\$2,714.00	\$3,737.00	\$3,737.00
6" x 8"	\$3,460.00	\$4,881.00	\$4,881.00
6" x 10"	\$3,551.00	\$4,975.00	\$4,975.00
8" x 10"	\$7,413.00	\$9,451.00	\$9,451.00
8" x 12"	\$7,861.00	\$9,891.00	\$9,891.00
10" x 12"	\$10,180.00	\$12,880.00	\$12,880.00

KENFLEX RESILIENT HINGED CHECK VALVE FIGURE 506 AND 506J

POA

ADDERS FOR IPT TAPS

VALVE SIZE	MAXIMUM TAP	PRICE
2 1/2"	3/4"	\$90.00
3	3/4"	\$90.00
4	1"	\$90.00
6	1 1/4"	\$98.00
8	2"	\$108.00
10	2"	\$108.00
12	2"	\$108.00

Position Indicator (4", 6", 8"): 448100P \$100.00 Each

[Back to table of contents](#)

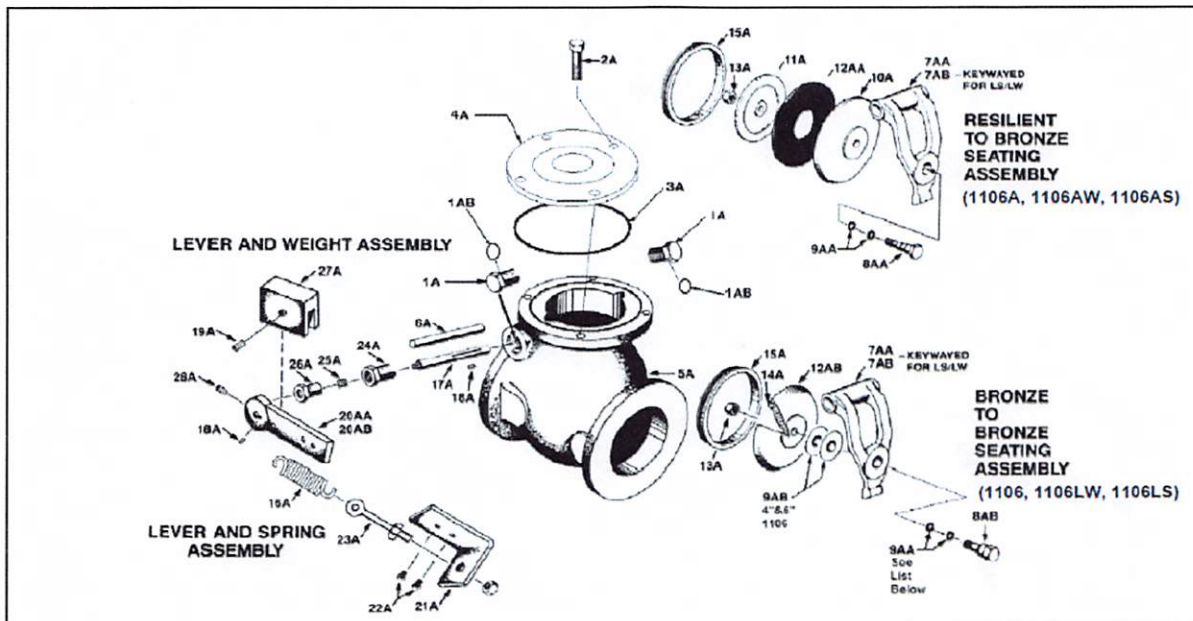
AWWA

SWING CHECK VALVES 2"-12" TECHNICAL DATA & PARTS LIST

Resilient/Bronze - Figure # 1106A, 1106AW, 1106AS

Bronze/Bronze - Figure # 1106, 1106LW, 1106LS

KENNEDY VALVE



Part No.	Qty.	Description	Material & ASTM Spec.
1A With 1AB (O-Ring)	2	Side Plug With O-Ring	Bronze
2A	* SEE FOOT NOTE	Cap Bolts	Stainless Steel, ASTM F593C (18-8)
3A	1	O-Ring	Syn. Rubber
4A	1	Cap	Cast Iron, ASTM A126 Class B
5A	1	Body	Cast Iron, ASTM A126 Class B
6A	1	Hinge Pin	SS A-276 (304)
7AA	1	Hinge	Bronze (2"-3") D.I. A-536 (4"-12")
7AB	1	Hinge w/keyway for LS/LW	Bronze (2"-3") Ductile Iron ASTM A536 (4"-12")
8AA	1	Disc Bolt (4"-12")	Bronze (4"-12")
8AB	1	Disc Bolt (4"-12")	Bronze (10"-12") Steel (4"-8")
9AA	2	Disc Bolt O-Ring (4"-12" 1106A, 8"-12" 1106)	Syn. Rubber
9AB	2	Disc Bolt Gasket (4" & 8" 1106)	
10A	1	Disc Holder	Bronze (2"-3") *** Cast Iron, ASTM A126 Class B (4"-12")
11A	1	Disc Plate	Bronze
12AA	1	Disc	Nitrile (Buna N) Rubber
12AB**	1	Disc	Bronze (2"-3") *** Cast Iron, ASTM A126 Class B (4"-12")
13A	1	Disc Nut	Stainless Steel, ASTM F593C (18-8)
14A**	2 w/resilient disc (2"-3")	Disc Ring (4"-12") --- (2"-3")***	Bronze
15A	1	Seat Ring	Bronze
16A	1	Spring	Steel
17A	1	Extended Hinge Pin for LS/LW	Stainless Steel, ASTM A-276 (304)
18A	2	Key for LS/LW	Stainless Steel, ASTM A-276 (304)
19A	1	Set Screw	Steel
20AA	1	Lever Arm for LS	Steel
20AB	1	Lever Arm for LW	Steel
21A	1	Bracket	Steel
22A	2	Hex Head Bracket Bolt	Steel
23A	1	Eye Bolt w/2 Hex Nuts	Steel
24A	1	Stuffing Box	Bronze
25A	-	Packing	Graphite Filled
26A	1	Gland	Bronze
27A	1	Weight	Cast Iron, ASTM A126 Class B
28A	1	Set Screw	Steel

* Qty of cover bolts, 2"-8" = 4 bolts, 10"-12" = 6 bolts.

** Denotes that part is available only as part of an assembly.

***Cast integral (2"-3")

AWWA IRON SWING CHECK VALVE PARTS 1106/1106A, LS, LW

← Back One Page		Back to table of contents.		Parts Continued ▶			
Item #	Description	4"	Part #	6"	Part #	8"	Part #
1A	Side Plug (2 in 1106's, 1 - LS/LW)	\$ 53.00	3160905	\$ 72.00	3160955	\$ 99.00	3160685
1AB	Side Plug O-Rings (2 in 1106's, 1- LS/LW)	\$ 4.00	477531P	\$ 4.00	442642P	\$ 4.00	442625P
2A	Cap Bolts (price each)	\$ 14.00	444430P	\$ 15.00	460236P	\$ 16.00	460247P
3A	Cap O-Ring	\$ 18.00	442611P	\$ 23.00	442794P	\$ 27.00	442768P
4A	Cap	\$ 193.00	3103340	\$ 325.00	3103360	\$ 409.00	3103380
5A & 15A	Body with Seat Ring	\$ 1,052.00	3101082	\$ 1,730.00	3101122	\$ 2,702.00	3101162
6A	Hinge Pin (Plain)	\$ 75.00	445103P	\$ 119.00	445105P	\$ 159.00	445106P
7AA	Hinge (Plain)	\$ 163.00	3163555	\$ 226.00	3163575	\$ 280.00	3163585
*7AB	Hinge w/keyway for LS/LW	\$ 183.00	3163558	\$ 246.00	3163578	\$ 336.00	3163588
8AA	Disc Bolt (Rubber Faced)	\$ 56.00	3154634	\$ 149.00	3154637	\$ 176.00	3154639
8AB	Disc Bolt (Bronze Faced)	\$ 47.00	440230P	\$ 56.00	440232P	\$ 65.00	440234P
9AA	Disc Bolt O-ring (Rubber) 2 req.	\$ 7.00	442634P	\$ 7.00	442636P	\$ 7.00	442636P
9AB	Disc Bolt Gasket (Bronze) 2 req.	\$ 7.00	441865P	\$ 7.00	441867P	\$ 7.00	441867P
10A	Disc Holder	\$ 143.00	3115964	\$ 315.00	3115984	\$ 472.00	3116074
11A	Disc Plate	\$ 88.00	3157022	\$ 178.00	3157032	\$ 288.00	3157042
12AA	Disc (Rubber Faced)	\$ 95.00	440881P	\$ 148.00	440885P	\$ 192.00	440887P
12AB	Disc (Bronze Faced)	\$ 235.00	2115793	\$ 280.00	2115813	\$ 330.00	2115823
13A	Disc Nut (Bronze)	\$ 16.00	460210P	\$ 19.00	460211P	\$ 19.00	460211P
13AB	Disc Nut (Rubber Faced)	\$ 11.00	460209P	\$ 16.00	460210P	\$ 16.00	460210P
15A	Seat Ring	\$ 84.00	3145574	\$ 106.00	3145584	\$ 185.00	3145594
15AA	Seat Ring O-Ring	\$ -	442714P	\$ -	442658P	\$ -	442716P
16A	Spring	\$ 34.00	444619P	\$ 53.00	444621P	\$ 53.00	444620P
*17A	Extended Hinge Pin for LS/LW	\$ 375.00	3167942	\$ 531.00	3167892	\$ 643.00	3167902
18A	Key for LS/LW (2 per)	\$ 9.00	3169602	\$ 9.00	3169602	\$ 9.00	3169602
19A	Set Screw for Weight	\$ 11.00	444024P	\$ 11.00	444024P	\$ 11.00	444024P
20AA	Lever Arm for L/S	\$ 101.00	315389A	\$ 118.00	315391A	\$ 134.00	315392A
20AB	Lever Arm for L/W	\$ 101.00	315389A	\$ 118.00	315391A	\$ 134.00	315392A
21A	Bracket	\$ 63.00	3366062	\$ 78.00	3366072	\$ 92.00	3366082
22A	Hex Head Bracket Bolt (2 per)	\$ 5.00	444402P	\$ 5.00	444410P	\$ 5.00	444410P
23A	Eye Bolt (w/2 Hex Nuts)	\$ 49.00	440236P	\$ 49.00	440236P	\$ 49.00	440236P
	(Eye Bolt) w/2 Hex Nuts	**	442412P	**	442412P	**	442412P
24A	Stuffing Box	\$ 149.00	3140745	\$ 166.00	3140755	\$ 183.00	3140765
	Stuffing Box O-ring (1 req. for LS/LW)	\$ 4.00	477531P	\$ 4.00	442642P	\$ 4.00	442625P
25A	Packing	\$ 29.00	3477681	\$ 34.00	3477641	\$ 39.00	3477502
26A	Gland	\$ 53.00	3141594	\$ 67.00	3141614	\$ 74.00	3141624
27A	Weight	\$ 154.00	3163053	\$ 154.00	3163053	\$ 162.00	3163083
28A	Set Screw For Lever	\$ 11.00	443986P	\$ 11.00	443986P	\$ 11.00	443986P

**

Price per pair or set (1 each of a bolt & nut)

*

Not interchangeable with parts manufactured prior to 1978 - must order hinge & pin.
Above part codes for current production only. Please specify year of manufacture when ordering.

1106 Flat Cap Gaskets		
2"	441732P	\$ 15.00
2 1/2"	441733P	\$ 15.00
3"	441734P	\$ 18.00
4"	441735P	\$ 18.00
6"	441737P	\$ 23.00
8"	441738P	\$ 27.00
10"	441739P	\$ 40.00
12"	441740P	\$ 48.00

AWWA SWING CHECK VALVE PARTS 1106/1106A, LS & LW[◀ Back One Page](#)[Back to table of contents.](#)

Item #	Description	10"	Part #	12"	Part #
1A	Side Plug (2 in 1106's, 1 - LS/LW)	\$ 136.00	3160765	\$ 136.00	3160765
1AB	Side Plug O-Rings (2 in 1106, 1-LS/LW)	\$ 4.00	442659P	\$ 4.00	442659P
2A	Cap Bolts (price each)	\$ 16.00	460247P	\$ 20.00	460247P
3A	Cap O-Ring	\$ 40.00	442769P	\$ 48.00	442770P
4A	Cap	\$ 630.00	3103400	\$ 746.00	3103420
5A & 15A	Body with Seat Ring	\$ 4,562.00	3101202	\$ 6,251.00	3101242
6A	Hinge Pin (Plain)	\$ 222.00	445107P	\$ 320.00	445108P
7AA	Hinge (Plain)	\$ 452.00	3163695	\$ 586.00	3163705
*7AB	Hinge w/keyway for LS/LW	\$ 574.00	3163698	\$ 623.00	3163708
8AA	Disc Bolt (Rubber Faced)	\$ 185.00	3154641	\$ 225.00	3154643
8AB	Disc Bolt (Bronze Faced)	\$ 108.00	3154640	\$ 161.00	3154642
9AA	Disc Bolt O-ring	\$ 7.00	442638P	\$ 7.00	442640P
10A	Disc Holder	\$ 590.00	3116094	\$ 782.00	3120554
11A	Disc Plate	\$ 389.00	3157052	\$ 432.00	3157062
12AA	Disc (Rubber Faced)	\$ 228.00	440898P	\$ 263.00	440899P
12AB	Disc (Bronze Faced)	\$ 525.00	2116093	\$ 812.00	2120553
13A	Disc Nut (bronze to bronze or Rubber Faced)	\$ 19.00	460211P	\$ 22.00	460234P
15A	Seat Ring	\$ 253.00	3146694	\$ 304.00	3146704
15AA	Seat Ring O-Ring	\$ 40.00	442677P	\$ 48.00	442679P
16A	Spring	\$ 174.00	444622P	\$ 174.00	444622P
*17A	Extended Hinge Pin for LS/LW	\$ 817.00	3226502	\$ 1,125.00	3167882
18A	Key for LS/LW (2 per)	\$ 12.00	3169622	\$ 12.00	3169622
19A	Set Screw for Weight	\$ 11.00	444024P	\$ 11.00	444024P
20AA	Lever Arm for L/S	\$ 145.00	315393A	\$ 161.00	315394A
20AB	Lever Arm for L/W	\$ 145.00	315393A	\$ 161.00	315393A
21A	Bracket	\$ 92.00	3366092	\$ 98.00	3366102
22A	Hex Head Bracket Bolt (2 per)	\$ 5.00	444406P	\$ 5.00	444406P
23A	Eye Bolt (w/2 Hex Nuts)	\$ 49.00	440236P	\$ 49.00	440236P
	Hex Nuts	**	442412P	**	442412P
24A	Stuffing Box	\$ 225.00	3140773	\$ 225.00	3140773
	Stuffing Box O-ring (1 required for LS/LW)	\$ 4.00	442659P	\$ 4.00	442659P
25A	Packing	\$ 43.00	3477682	\$ 43.00	3477682
26A	Gland	\$ 82.00	3141634	\$ 82.00	3141634
27A	Weight	\$ 228.00	3163093	\$ 296.00	3163103
28A	Set Screw For Lever	\$ 11.00	443986P	\$ 11.00	443986P

** Price per pair or set (1 each of a bolt & nut)

* Not interchangeable with parts manufactured prior to 1978 - must order hinge & pin.

Above part codes for current production only. Please specify year of manufacture when ordering.