

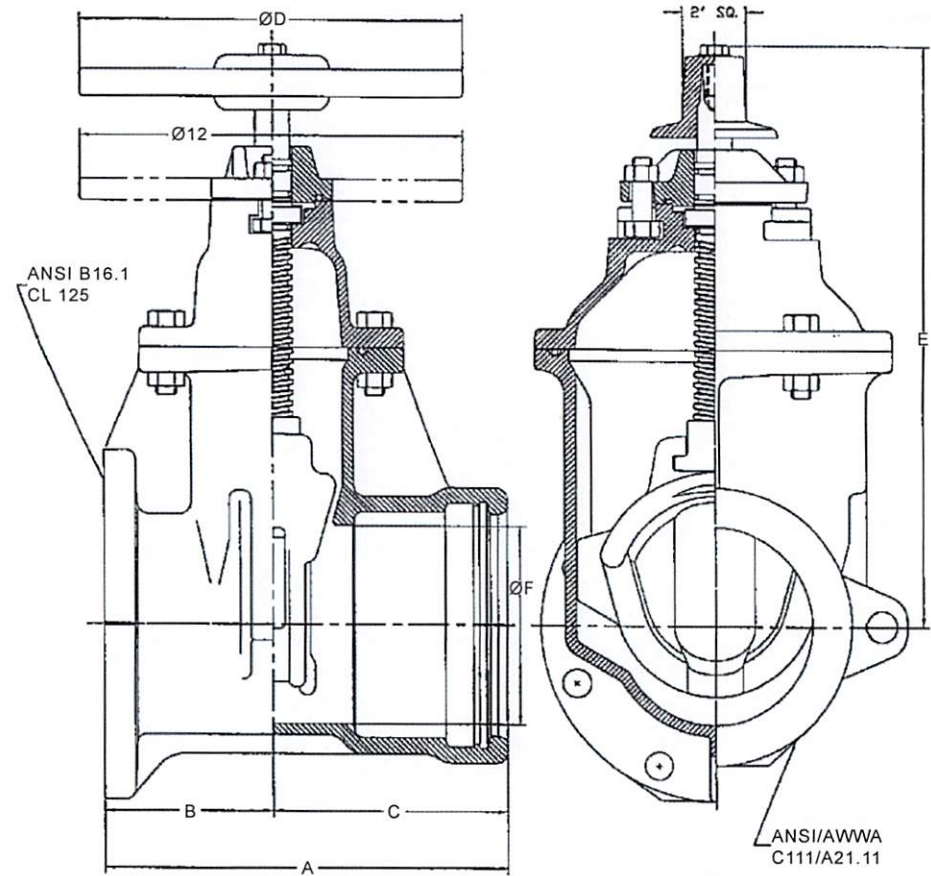


KENNEDY VALVE

C509 KS FW NON-RISING RESILIENT SEATED GATE VALVE FLANGED x TYTON ENDS SIZES 4" - 12"

Fig. 8902SS

Fig. 8902PSS (with post plate)



DIMENSIONS							
SIZE	A	B	C	D	E	F	Weight (lbs.)
4	11-1/8"	4-1/2"	6-5/8"	10"	14-3/4"	4-1/4"	85
6	12-5/8"	5-1/4"	7-3/8"	12"	19"	6-1/4"	139
8	14-5/16"	5-3/4"	8-9/16"	14"	22-1/2"	8-1/4"	219
10	16-3/16"	6-1/2"	9-11/16"	18"	26-1/2"	10-1/4"	372
12	17-7/16"	7"	10-7/16"	18"	30"	12-1/4"	515

Note: Add 16 lbs. for Indicator Post Plate