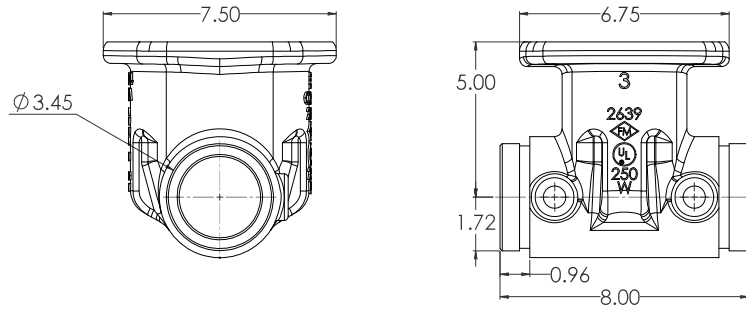
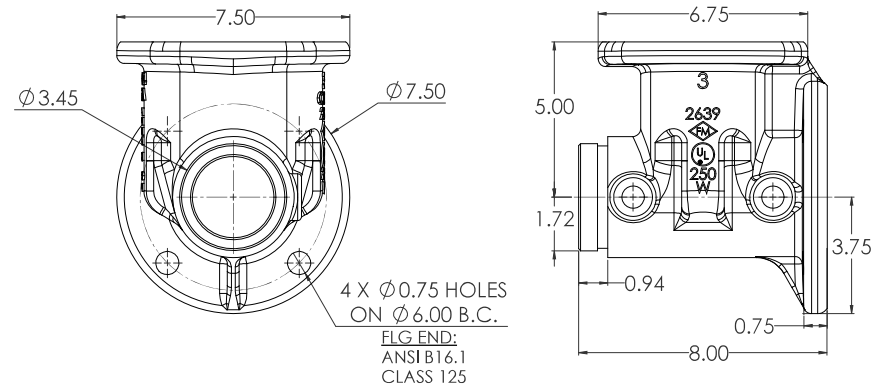


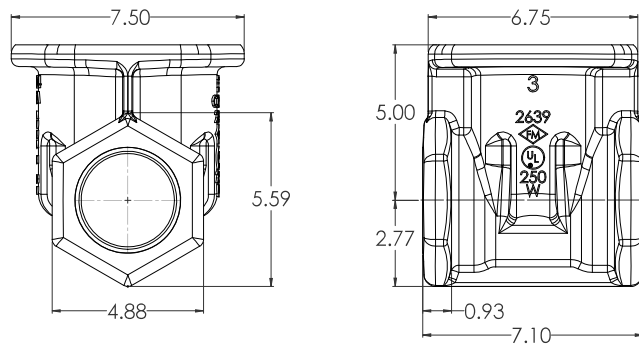
03" C509 GRVD X GRVD



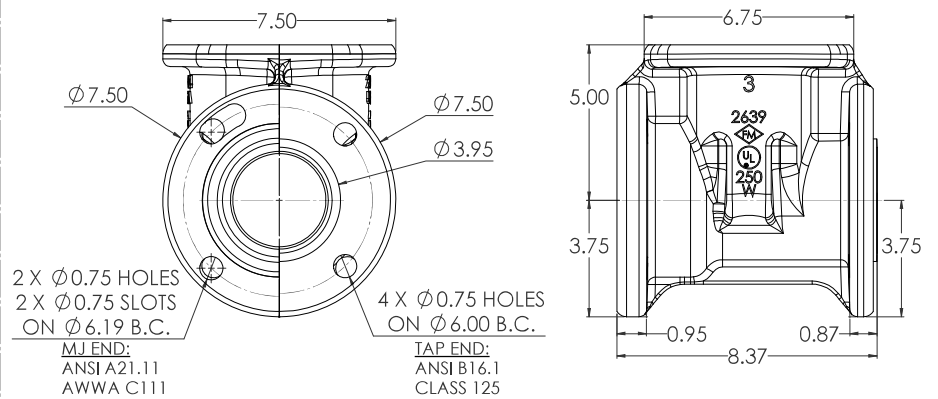
03" C509 FLG X GRVD



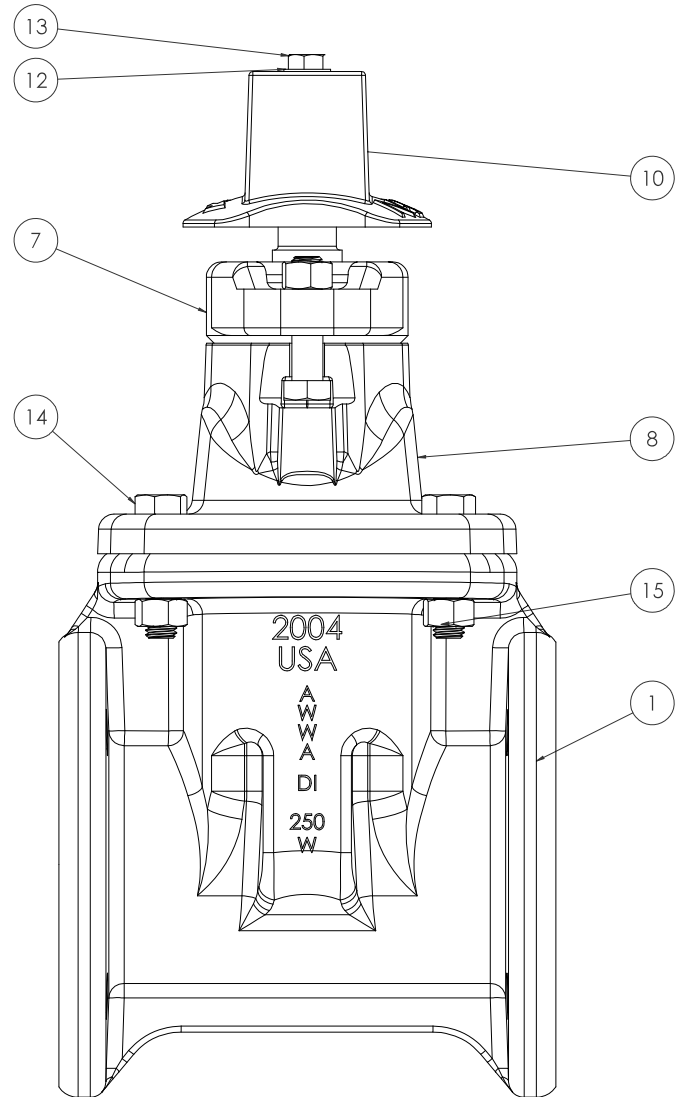
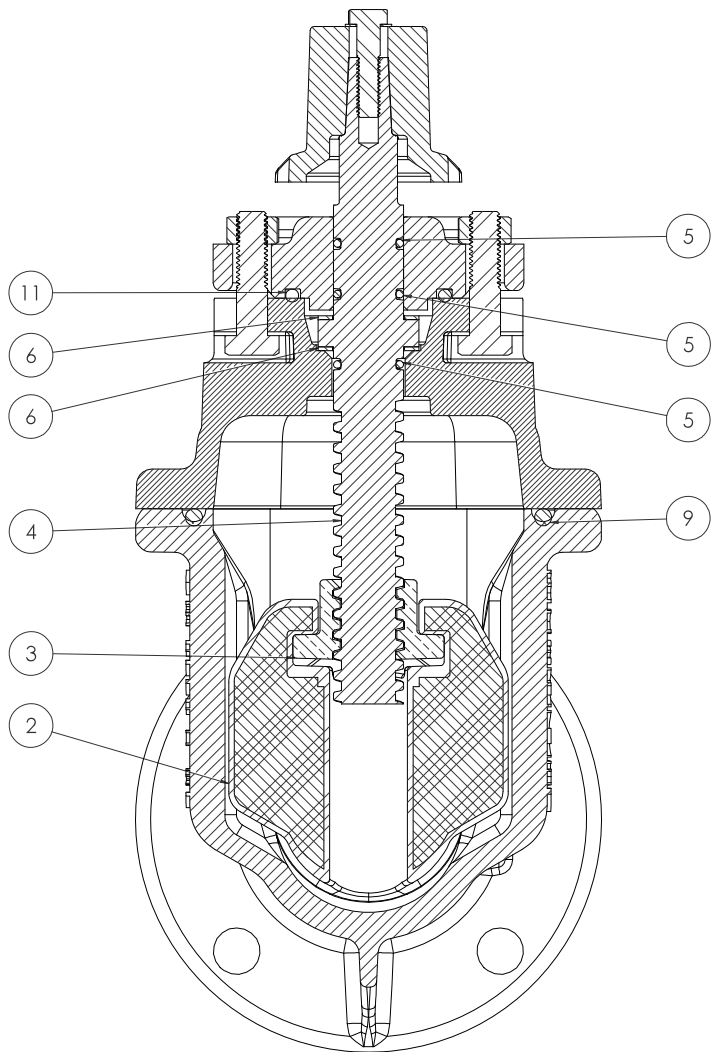
03" C509 THRD X THRD



03" C509 MJ X TAP



REV 1 2 3 4 5 6 7 8 9 10 11 12 13 14 15 16 17 18 19 20 21 22 23 24 25 26 27 28 29 30 31 32 33 34 35 36 37 38 39 40 41 42 43 44 45 46 47 48 49 50 51 52 53 54 55 56 57 58 59 60 61 62 63 64 65 66 67 68 69 70 71 72 73 74 75 76 77 78 79 80 81 82 83 84 85 86 87 88 89 90 91 92 93 94 95 96 97 98 99 100		03" C509 NRS RESILIENT LBS. WEDGE GATE VALVE 1:2 Solidworks 2016 SP2	2 6 D
--	--	---	-------------



AWWA AMERICAN WATER WORKS ASSOCIATION 650 N. ZEEB ROAD WESTFIELD, MA 01095 TEL: 413/253-2400 FAX: 413/253-2401 WWW.AWWA.ORG		AWWA AMERICAN WATER WORKS ASSOCIATION 650 N. ZEEB ROAD WESTFIELD, MA 01095 TEL: 413/253-2400 FAX: 413/253-2401 WWW.AWWA.ORG		AWWA AMERICAN WATER WORKS ASSOCIATION 650 N. ZEEB ROAD WESTFIELD, MA 01095 TEL: 413/253-2400 FAX: 413/253-2401 WWW.AWWA.ORG	
DATE: 12/1/2020 TIME: 10:00 AM USER: JLM PROJECT: 12712020	DRAWING NO.: 12712020 REV: 1 DATE: 12/1/2020 TIME: 10:00 AM USER: JLM	TITLE: 03" C509 NRS RESILIENT LBS. WEDGE GATE VALVE	SCALE: 1:5	SHEET NO.: 4 TOTAL SHEETS: 6	

<u>ITEM NO.</u>	<u>COMPONENT</u>	<u>QTY.</u>	<u>SIZE</u>	<u>STANDARD MATERIAL</u>	<u>MATERIAL OPTIONS</u>
1	BODY	1	-	CAST IRON	DUCTILE IRON
2	WEDGE	1	-	EPDM/DUCTILE IRON	-
3	STEM NUT	1		C87850	C87610 (LOW ZINC)
4	STEM	1	-	C86200	C99500 (LOW ZINC), 304 SS, 316 SS
5	O-RING	3	#212	EPDM	BUNA-N
6	THRUST WASHER	2	1 3/8"	ACETAL	C26000
7	O-RING PLATE	1	-	DUCTILE IRON	-
8	COVER	1	-	CAST IRON	DUCTILE IRON
9	O-RING	1	#427	EPDM	BUNA-N
10	OPERATING NUT	1	-	CAST IRON	DUCTILE IRON, C86700, **10" DIA. HANDWHEEL**
11	O-RING	1	#331	EPDM	BUNA-N
12	WASHER	1	3/8"	18-8 SS	316 SS
13	HEX HEAD CAP SCREW	1	3/8"-16 X 1 1/2"	18-8 SS	316 SS
14	HEX HEAD CAP SCREW	6	1/2"-13 X 2"	18-8 SS	316 SS
15	HEX NUT	6	1/2"-13	18-8 SS	316 SS

- VALVES CONFORM WITH THE FOLLOWING STANDARDS
 - AWWA C509
 - NSF 61
- LOW ZINC BRASS STEM AND STEM NUT AVAILABLE
- 100% DOMESTIC FASTENERS AND ORINGS OPTIONS AVAILABLE
- *OPEN LEFT* (COUNTERCLOCKWISE) AND *OPEN RIGHT* (CLOCKWISE) OPTIONS AVAILABLE
- TURNS TO OPEN FROM FULLY CLOSED: 9
- AWWA MAXIMUM ALLOWABLE TORQUE TO CLOSE 52 FT-LB
- OPTIONAL HANDWHEEL CAN BE SUBSTITUTED FOR STANDARD 2" SQUARE OP NUTS.
 - **NOTE: STANDARD HANDWHEELS SIZE CALLED OUT IN PARTS LIST.**

WEDGEMASTER <small>WEDGEMASTER VALVES, INC. 12100 WEDGEMASTER DRIVE, WILSONVILLE, OR 97150</small>		<small>WEDGEMASTER VALVES, INC. 12100 WEDGEMASTER DRIVE, WILSONVILLE, OR 97150</small>		<small>WEDGEMASTER VALVES, INC. 12100 WEDGEMASTER DRIVE, WILSONVILLE, OR 97150</small>	
<small>DATE: 12/1/2009</small> <small>TIME: 10:00 AM</small> <small>BY: J. W. WEDGEMASTER</small>	<small>PROJECT: 03' C509 NRS RESILIENT WEDGE GATE VALVE</small> <small>SCALE: 1:5</small>	<small>REV: 1</small> <small>DATE: 12/1/2009</small>	<small>REV: 2</small> <small>DATE: 12/1/2009</small>	<small>REV: 3</small> <small>DATE: 12/1/2009</small>	<small>REV: 4</small> <small>DATE: 12/1/2009</small>
<small>WEDGEMASTER VALVES, INC. 12100 WEDGEMASTER DRIVE, WILSONVILLE, OR 97150</small>			<small>WEDGEMASTER VALVES, INC. 12100 WEDGEMASTER DRIVE, WILSONVILLE, OR 97150</small>		
<small>WEDGEMASTER VALVES, INC. 12100 WEDGEMASTER DRIVE, WILSONVILLE, OR 97150</small>			<small>WEDGEMASTER VALVES, INC. 12100 WEDGEMASTER DRIVE, WILSONVILLE, OR 97150</small>		