

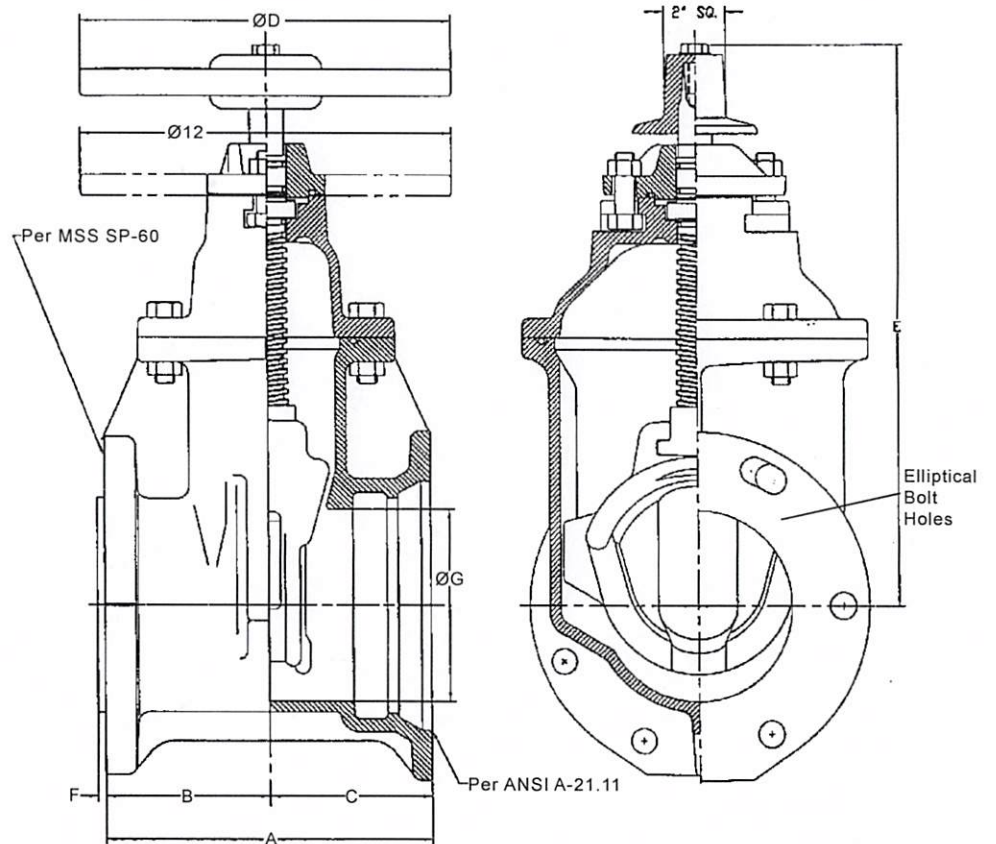


KENNEDY VALVE

C509 KS FW NON-RISING RESILIENT SEATED GATE VALVE MECHANICAL JOINT x FLANGED TAP ENDS SIZES 3" - 12"

Fig. 8950SS

Fig. 8950PSS (with post plate)



Elliptical bolt hole design eliminates the needs for anti-rotational bolts.

| DIMENSIONS | | | | | | | | |
|------------|---------|--------|--------|-----|---------|-------|---------|---------------|
| SIZE | A | B | C | D | E | F | G | Weight (lbs.) |
| 4 | 9-1/4" | 4-1/2" | 4-3/4" | 10" | 14-3/4" | 3/16" | 4-1/4" | 92 |
| 6 | 10-1/2" | 5-1/4" | 5-1/4" | 12" | 19" | 1/4" | 6-1/4" | 144 |
| 8 | 13-1/4" | 5-3/4" | 7-1/2" | 14" | 22-1/2" | 1/4" | 8-1/4" | 224 |
| 10 | 14-1/4" | 6-1/2" | 7-3/4" | 18" | 26-1/2" | 1/4" | 10-1/4" | 392 |
| 12 | 15" | 7" | 8" | 18" | 30" | 1/4" | 12-1/4" | 527 |

Note: Add 16 lbs. for Indicator Post Plate