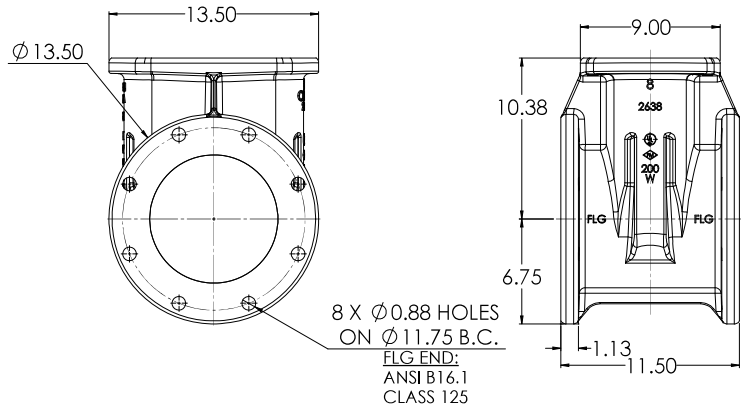
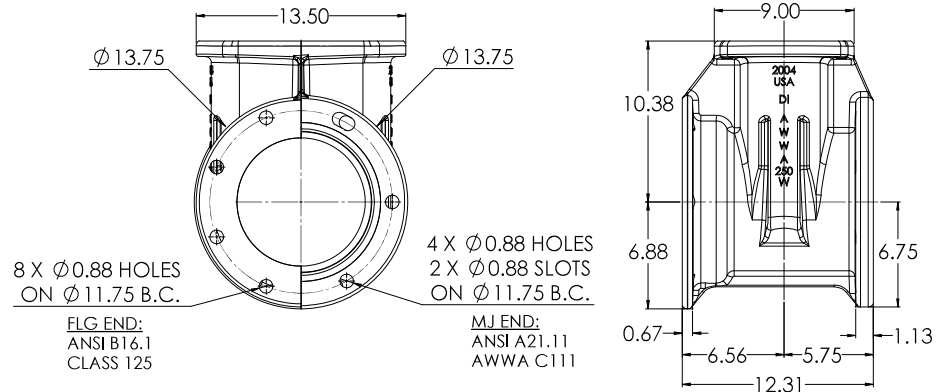


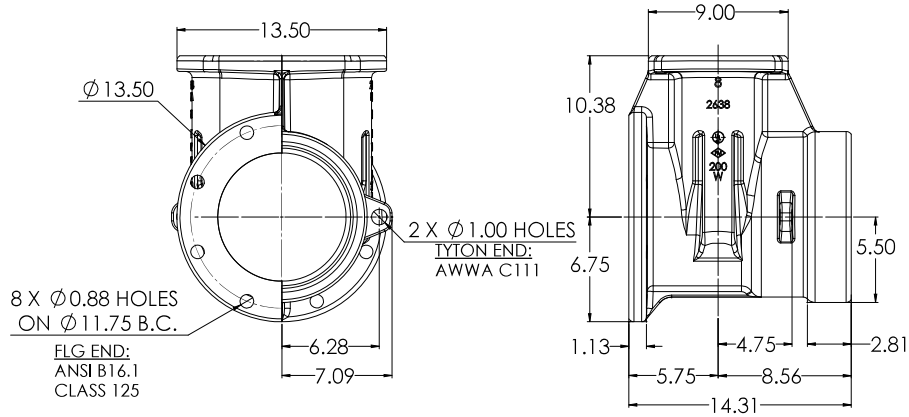
08" C515 FLG X FLG



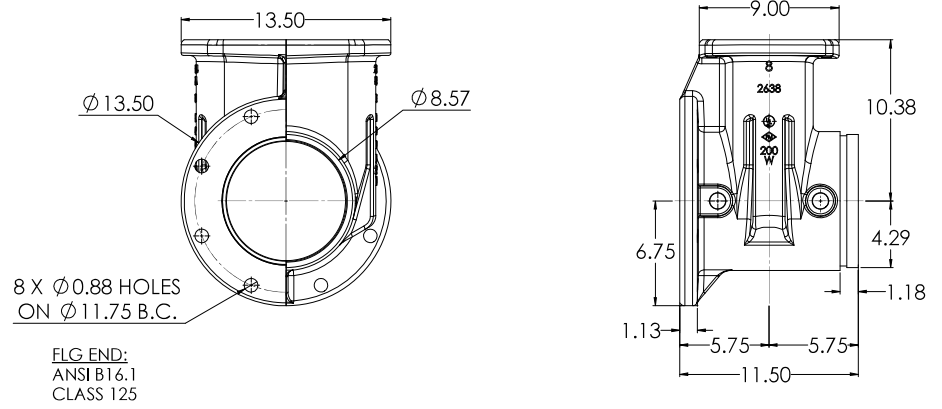
08" C515 FLG X MJ



08" C515 FLG X TYTON

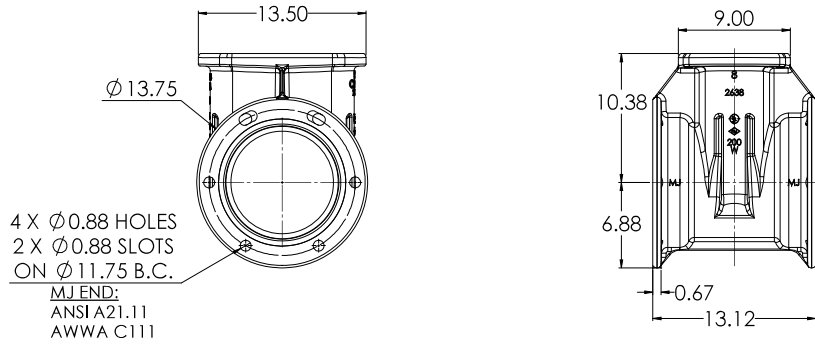


08" C515 FLG X GRVD

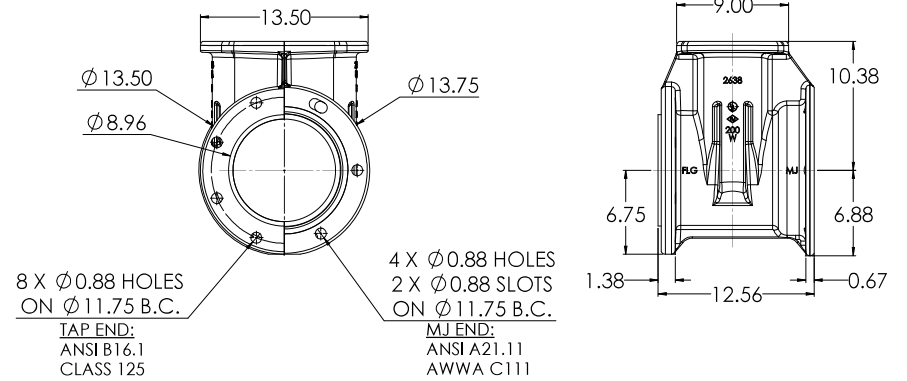


<p>08" C515 NRS RESILIENT WEDGE GATE VALVE</p> <p>ANSI B16.1 CLASS 125</p> <p>AWWA C111</p> <p>AWWA C111</p>	<p>DATE: 12/20/2020</p> <p>TIME: 10:28 AM</p> <p>USER: CW</p>	<p>SCALE: 1:1</p> <p>PROJECT: 2016 SP2</p>	<p>6</p>
--------------------------------------------------------------------------------------------------------------	---------------------------------------------------------------	--------------------------------------------	----------

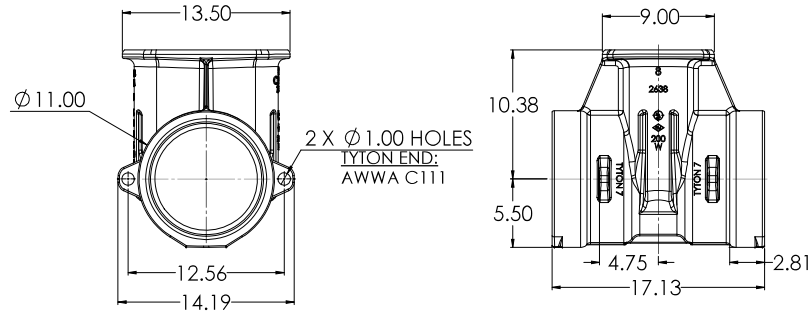
08" C515 MJ X MJ



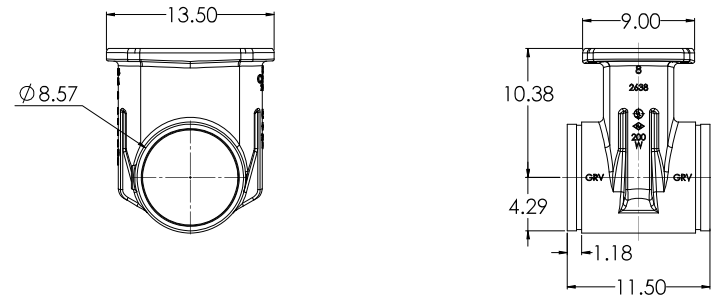
08" C515 MJ X TAP



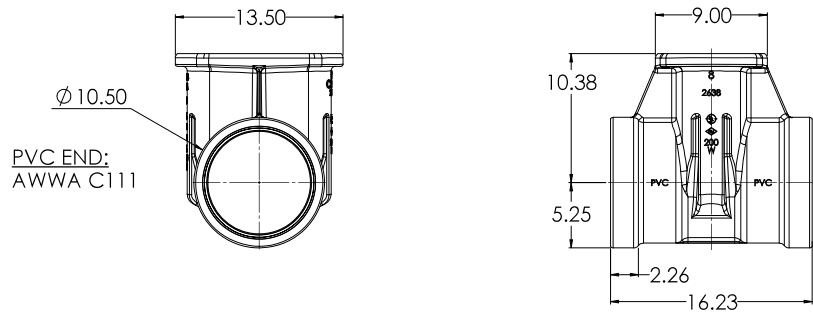
08" C515 TYTON X TYTON



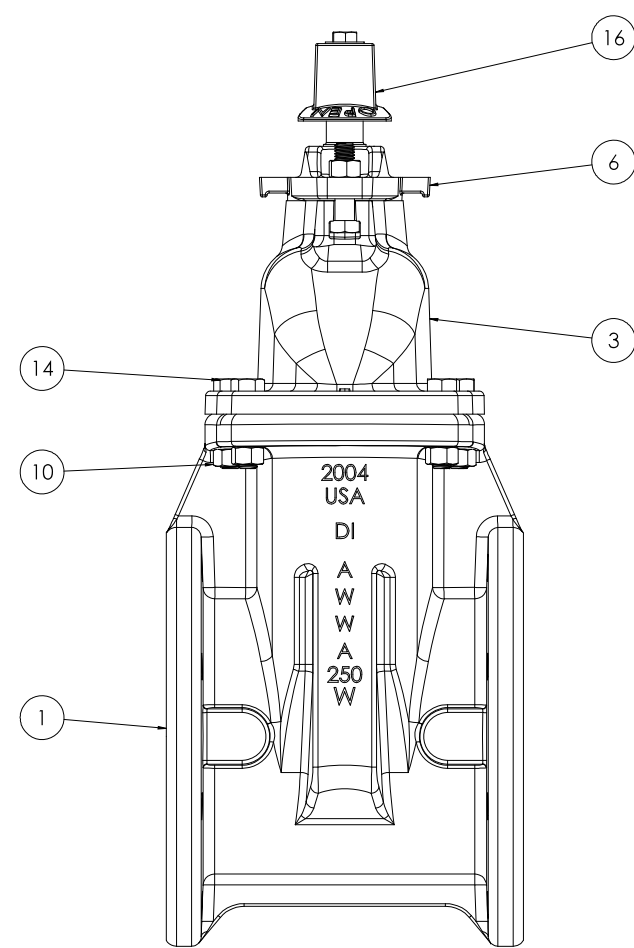
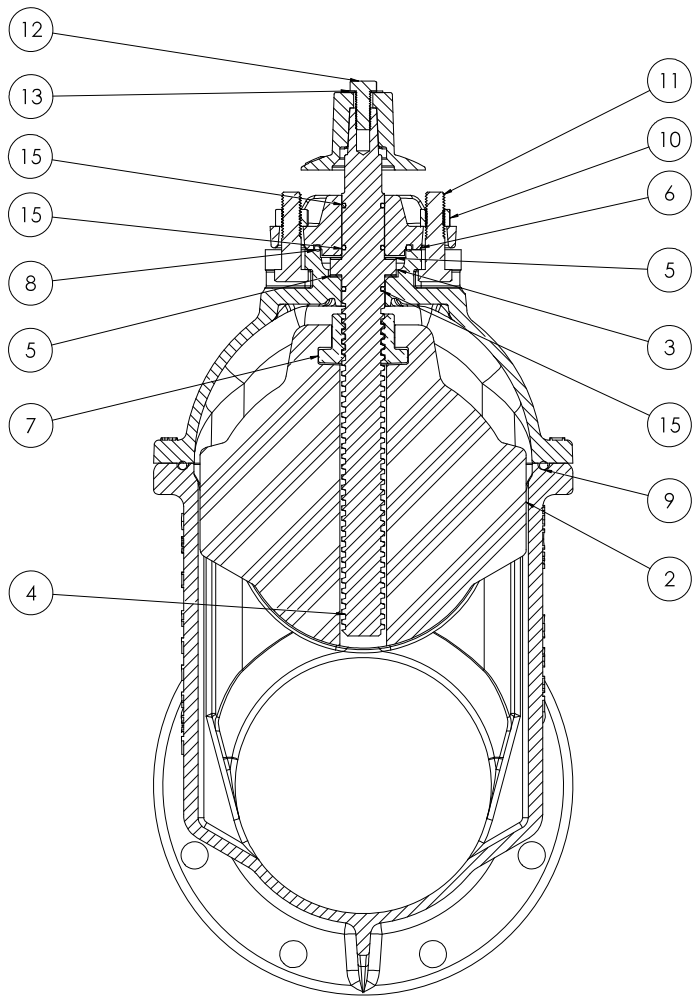
08" C515 GRVD X GRVD



08" C515 PVC X PVC



COMPANY: ME ADDRESS: 1100 W. 11th St., Tulsa, OK 74103 PHONE: 918-438-2200 FAX: 918-438-2201 E-MAIL: me@me.com	PROJECT: 08" C515 NRS RESILIENT WEDGE GATE VALVE DATE: 12/29/2020 DRAWING NO: 12292020	SCALE: 1:5 SHEET NO: 2 TOTAL SHEETS: 6	APPROVED: [Signature] CHECKED: [Signature] DATE: 12/29/2020	PROJECT NO: 12292020 SHEET NO: 2 TOTAL SHEETS: 6	TITLE: 08" C515 NRS RESILIENT WEDGE GATE VALVE SCALE: 1:5 SHEET NO: 2 TOTAL SHEETS: 6	ME MECHANICAL ENGINEERING 1100 W. 11th St., Tulsa, OK 74103 918-438-2200 me@me.com
---------------------------------------------------------------------------------------------------------------------------------------------------------------	-------------------------------------------------------------------------------------------------------------------	-------------------------------------------------------------------	----------------------------------------------------------------------------------------	-----------------------------------------------------------------------------	----------------------------------------------------------------------------------------------------------------------------	------------------------------------------------------------------------------------------------



AWWA <small>AMERICAN WATER WORKS ASSOCIATION</small>		<small>AWWA is a not-for-profit organization. All rights reserved. No part of this publication may be reproduced without the prior written permission of AWWA.</small>		<small>AWWA reserves the right to change specifications without notice.</small>	
<small>DATE OF SUBMITTAL</small> 12/22/2020	<small>AWWA PROJECT NUMBER</small> 2020-0000	<small>AWWA PROJECT TITLE</small> 08" CS18 NRS RESILIENT WEDGE GATE VALVE	<small>AWWA PROJECT LOCATION</small> LBS	<small>AWWA PROJECT NUMBER</small> 4	<small>AWWA PROJECT LOCATION</small> D
<small>DATE OF SUBMITTAL</small> 12/22/2020	<small>AWWA PROJECT NUMBER</small> 2020-0000	<small>AWWA PROJECT TITLE</small> 08" CS18 NRS RESILIENT WEDGE GATE VALVE	<small>AWWA PROJECT LOCATION</small> LBS	<small>AWWA PROJECT NUMBER</small> 4	<small>AWWA PROJECT LOCATION</small> D
<small>DATE OF SUBMITTAL</small> 12/22/2020	<small>AWWA PROJECT NUMBER</small> 2020-0000	<small>AWWA PROJECT TITLE</small> 08" CS18 NRS RESILIENT WEDGE GATE VALVE	<small>AWWA PROJECT LOCATION</small> LBS	<small>AWWA PROJECT NUMBER</small> 4	<small>AWWA PROJECT LOCATION</small> D
<small>DATE OF SUBMITTAL</small> 12/22/2020	<small>AWWA PROJECT NUMBER</small> 2020-0000	<small>AWWA PROJECT TITLE</small> 08" CS18 NRS RESILIENT WEDGE GATE VALVE	<small>AWWA PROJECT LOCATION</small> LBS	<small>AWWA PROJECT NUMBER</small> 4	<small>AWWA PROJECT LOCATION</small> D

<u>ITEM NO.</u>	<u>COMPONENT</u>	<u>QTY.</u>	<u>SIZE</u>	<u>STANDARD MATERIAL</u>	<u>MATERIAL OPTIONS</u>
1	BODY	1	-	DUCTILE IRON	-
2	WEDGE	1	-	EPDM/DUCTILE IRON	-
3	COVER	1	-	DUCTILE IRON	-
4	STEM	1	-	C99500	C86700, 304 SS, 316 SS
5	THRUST WASHER	2	-	ACETAL	C26000
6	GLAND	1	-	DUCTILE IRON	-
7	STEM NUT	1	-	C99500	C87850
8	O-RING	1	#335	EPDM	BUNA-N
9	O-RING	1	#447	EPDM	BUNA-N
10	HEX NUT	10	5/8"-11	18-8 S	316 SS
11	HEX HEAD CAP SCREW	2	5/8"-11 X 2 1/4	18-8 SS	316 SS
12	HEX HEAD CAP SCREW	1	1/2"-13 X 1 1/4	18-8 SS	316 SS
13	WASHER	1	1/2"	18-8 SS	316 SS
14	HEX HEAD CAP SCREW	8	5/8"-11 X 2 1/2	18-8 SS	316 SS
15	O-RING	3	#216	EPDM	BUNA-N
16	OPERATING NUT	1	-	CAST IRON	DUCTILE IRON, C86700, **Ø 14" HANDWHEEL**

- VALVES CONFORM WITH THE FOLLOWING STANDARDS
 - AWWA C515
 - NSF 61
- LOW ZINC BRASS STEM AND STEM NUT AVAILABLE
- 100% DOMESTIC FASTENERS AND ORINGS OPTIONS AVAILABLE
- *OPEN LEFT* (COUNTERCLOCKWISE) AND *OPEN RIGHT* (CLOCKWISE) OPTIONS AVAILABLE
- TURNS TO OPEN FROM FULLY CLOSED: 26
- AWWA MAXIMUM ALLOWABLE CLOSING TORQUE 150 FT-LBS
- OPTIONAL HANDWHEEL CAN BE SUBSTITUTED FOR STANDARD 2" SQUARE OP. NUTS.
 - ****NOTE: STANDARD HANDWHEEL SIZE LISTED OUT IN PARTS LIST.****

<small> COMPANY: SOLO WORKS ADDRESS: 12200 200th Ave SW, Everett, WA 98203 PHONE: (425) 336-7777 FAX: (425) 336-7778 WWW: www.soloworks.com </small>		<small> PROJECT: 08" CS15 NRS RESILIENT WEDGE GATE VALVE DATE: 12/2/2020 DRAWN BY: CS CHECKED BY: CS APPROVED BY: CS </small>		<small> SHEET: 5 OF 6 TITLE: D </small>	
-------------------------------------------------------------------------------------------------------------------------------------------------------------------------------------------------------------------------------------------	--	---------------------------------------------------------------------------------------------------------------------------------------------------------------------------------------------------------------------------------	--	---------------------------------------------------------------------------------------	--