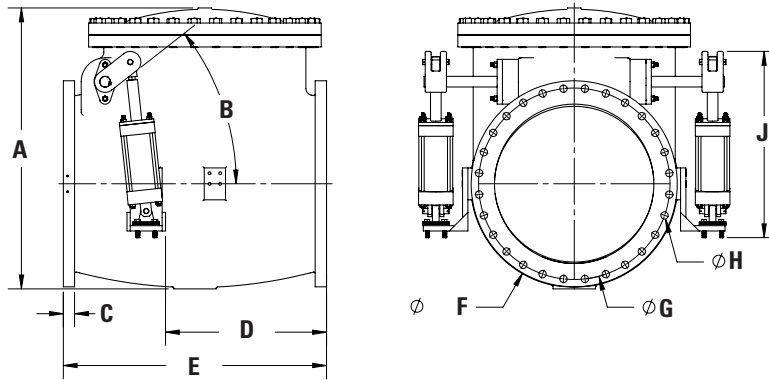




KENNEDY VALVE

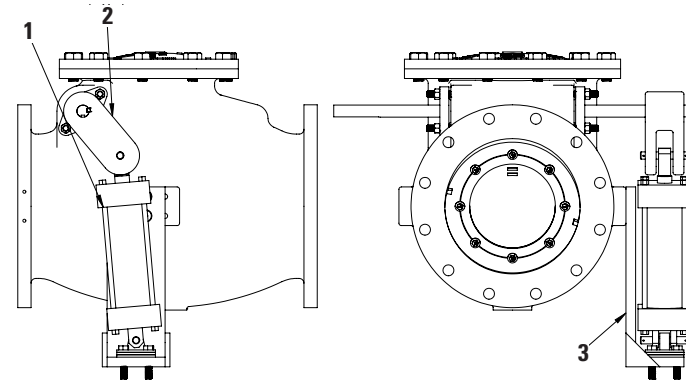
AIR CUSHION CHECK VALVE SIZES 14"-30" FULL WALL / DOMESTIC

OPEN



AIR CUSHION CHECK VALVE - OPEN

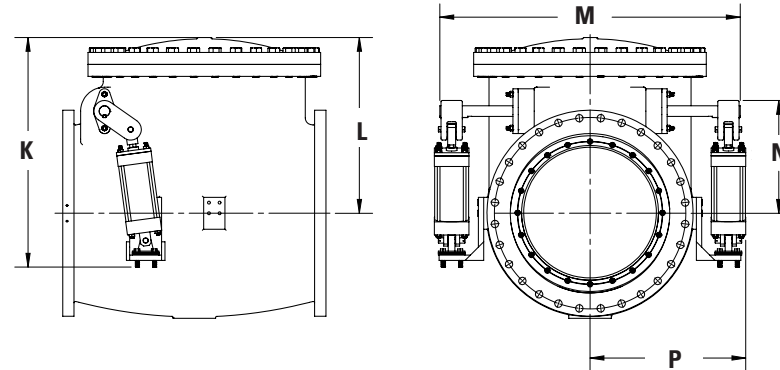
Size	A	B	C	D	E	F	G	H	J
14	29-11/16	48	1-3/8	14-3/4	30	21	18-3/4	1-1/8	34-5/16
16	34-11/16	45	1-7/16	17-3/4	35	23-1/2	21-1/4	1-1/8	32-5/8
18	35-13/16	21.5	1-9/16	19-1/8	36-1/2	25	22-3/4	1-1/4	32-3/16
20	38-3/16	48	1-11/16	20-7/8	37-5/8	27-1/2	25	1-1/4	35-1/4
24	46	37	1-7/8	26-15/16	44	32	29-1/2	1-3/8	35
30	52-13/16	38	2-1/8	30-1/4	49-1/2	38-3/4	36	1-3/8	35



AIR CUSHION CHECK VALVE ASSEMBLY

ITEM No.	DESCRIPTION
1	Cushion Air Cylinder
2	Cushion Arm
3	Air Cushion Arm Bracket

CLOSED



AIR CUSHION CHECK VALVE - CLOSED

Size	K	L	M	N	P
14	36-13/16	10	37	12	18-1/2
16	36-5/16	11-7/8	38	13-7/8	19-3/8
18	38-9/16	12-3/4	41-1/2	14-3/4	21-1/8
20	39-11/16	13-9/16	45-1/16	15-9/16	23-13/16
24	41-3/8	16	52	18	27-1/16
30	43-3/16	33-1/6	56-1/2	21-3/16	29-5/16

NOTES:

1. Flow direction is specified on valve.
 2. Valve will meet or exceed AWWA C508 requirements.
 3. Rated and tested for 150psi working pressure.
 4. Valves are suitable for horizontal or vertical position installation.
 5. Reference AWWA C508 for flanges and drilling.
 6. Bolts on each flange (no threaded holes).
- For more information on Air Cushion components, contact a sales representative.