

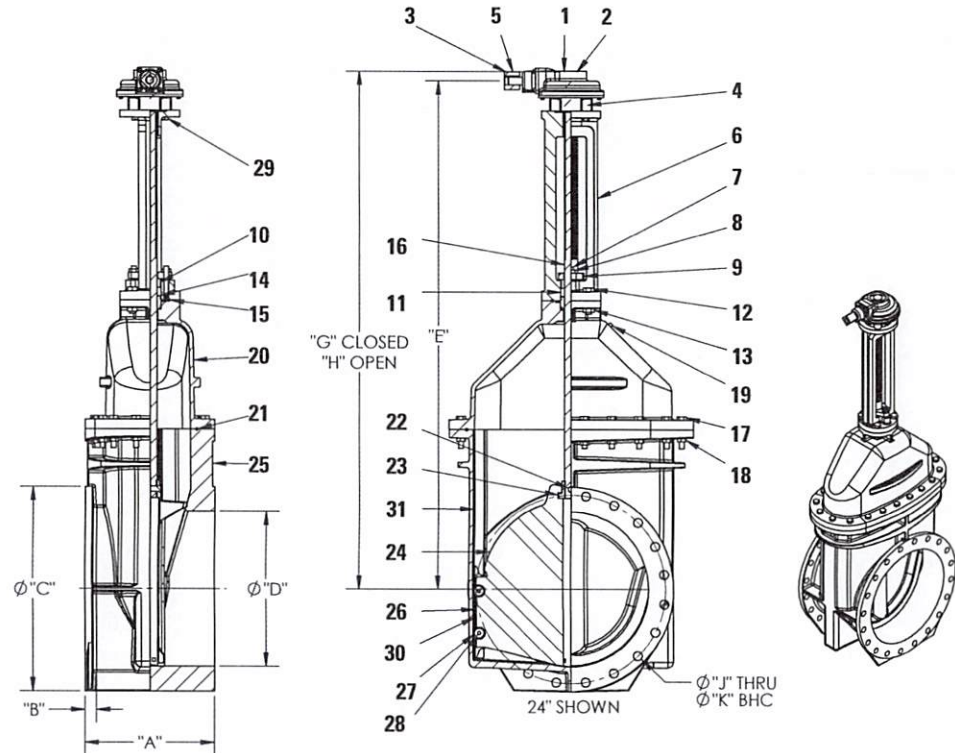


KENNEDY VALVE

# C515 OS&Y / FIG. 7566BMSS RESILIENT SEATED GATE VALVE FLANGED ENDS WITH BEVEL GEARING SIZES 14" - 24"

DRAWING NO.- CAT920029A-01 REV - 1

| DIMENSIONS |     |          |          |         |         |         |          |             |         | No. Turns to Open | Weight (lbs.) |
|------------|-----|----------|----------|---------|---------|---------|----------|-------------|---------|-------------------|---------------|
| SIZE       | A   | B        | C        | D       | E       | G       | H        | J           | K       |                   |               |
| 14         | 15" | 1-3/8"   | 21-1/16" | 14-1/4" | 59-7/8" | 59-3/4" | 74-3/4"  | 1" X 12     | 18-3/4" | 52                | 670.00        |
| 16         | 16" | 1-7/16"  | 23-1/2"  | 16-1/4" | 59-7/8" | 59-3/4" | 74-3/4"  | 1" X 16     | 21-1/4" | 52                | 735.00        |
| 18         | 17" | 1-9/16"  | 25"      | 18-1/4" | 70-1/8" | 71-1/4" | 92-9/16" | 1-1/4" X 16 | 22-3/4" | 64                | 1100          |
| 20         | 18" | 1-11/16" | 27-1/2"  | 20-1/4" | 70-1/8" | 67-3/8" | 94-3/8"  | 1-1/4" X 20 | 25"     | 64                | 1325          |
| 24         | 20" | 1-7/8"   | 32"      | 24-1/4" | 78-7/8" | 81-3/8" | 110-5/8" | 1-3/8" X 20 | 29-1/2" | 88                | 1900          |



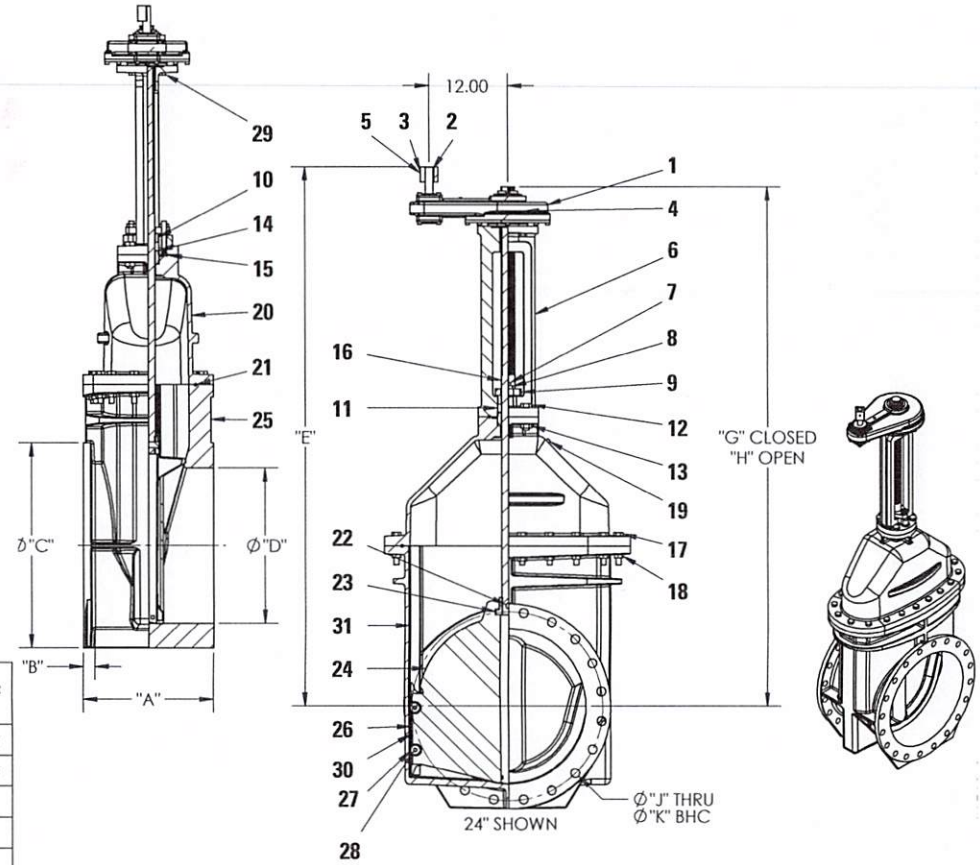
| PARTS LIST |                          |   | PARTS LIST |               |  | PARTS LIST |                     |   |
|------------|--------------------------|---|------------|---------------|--|------------|---------------------|---|
| No.        | PART                     | MATERIAL                                  | No.        | PART          | MATERIAL   | No.        | PART                | MATERIAL  |
| 1          | EXEECO IB7               | Bronze ASTM B584 C83600                   | 12         | Hex Cap Screw | GR 2 ZN SAE J429 / 304SS ASTM 18-8SS   | 23         | Stem Nut            | Bronze ASTM B584 C87610 / Bronze ASTM B584 C87850 / Bronze ASTM B763 C99500 (NDZ) (14"-20") |
| 2          | Square Key               | GR 2 ZN SAE J429                          | 13         | Hex Nut       | ZN A307 Grade B / ASTM F593 S30400/S31600  |            |                     | Bronze ASTM B584 C83600 (24")   |
| 3          | OP Nut                   | Gray Iron ASTM A126 Class B               | 14         | Bushing       | ZN A307 Grade B / ASTM F593 S30400/S31600  | 24         | Wedge               | Ductile Iron ASTM A536 Grade 65-45-12   |
| 4          | Output Sleeve            | Aluminum Bronze ASTM B505 C95800          | 15         | Yoke O-ring   | EPDM   | 25         | Body-Flanged Type   | Ductile Iron ASTM A536 Grade 65-45-12   |
| 5          | Roll Pin                 | Stainless Steel                           | 16         | Stem          | 304SS ASTM A276 S30400 / 316SS ASTM A276 S31600 / Silicon Bronze "A" (Everdur) ASTM B98 C65500 | 26         | Scraper (24")       | Bronze ASTM B584 C83600   |
| 6          | Yoke                     | Gray Iron ASTM A126 Class B               | 17         | Hex Cap Screw | ZN A307 Grade B / ASTM F593 S30400/S31600  | 27         | Roller (24")        | Bronze ASTM B584 C83600   |
| 7          | Stud                     | ASTM F593 S30400/S31600                   | 18         | Hex Nut       | ZN A307 Grade B / ASTM F593 S30400/S31600  | 28         | Pin (24")           | Stainless Steel AISI 303  |
| 8          | Hex Nut                  | ZN A307 GRADE B / ASTM F593 S30400/S31600 | 19         | Pipe Plug     | 18-8SS   | 29         | Hex Cap Screw       | ZN A307 Grade B / ASTM F593 S30400 / S31600   |
| 9          | Follower Plate (14"-16") | Gray Iron ASTM A126 Class B               | 20         | Cover         | Ductile Iron ASTM A536 65-45-12 ASTM B16 Alloy 306   | 30         | Wedge Cap (18"-20") | Delrin  |
| 10         | Packing Gland            | Bronze ASTM B584 C83600                   | 21         | Cover O-Ring  | EPDM   | 31         | Track (24")         | Stainless Steel AISI 316  |
| 11         | Packing                  | Braided, Lubricated (Non-Asbestos) Fiber  | 22         | Stem O-Ring   | EPDM   |            |                     |   |



KENNEDY VALVE

# C515 OS&Y / FIG. 7566AMSS RESILIENT SEATED GATE VALVE FLANGED ENDS WITH SPUR GEARING SIZES 14" - 24"

DRAWING NO.- CAT920028A-01 REV - 1



| DIMENSIONS |     |          |          |         |         |         |          |             |         | No. Turns to Open | Weight (lbs.) |
|------------|-----|----------|----------|---------|---------|---------|----------|-------------|---------|-------------------|---------------|
| SIZE       | A   | B        | C        | D       | E       | G       | H        | J           | K       |                   |               |
| 14         | 15" | 1-3/8"   | 21-1/16" | 14-1/4" | 64-1/2" | 59-3/4" | 74-3/4"  | 1" X 12     | 18-3/4" | 52                | 670.00        |
| 16         | 16" | 1-7/16"  | 23-1/2"  | 16-1/4" | 64-1/2" | 59-3/4" | 74-3/4"  | 1" X 16     | 21-1/4" | 52                | 735.00        |
| 18         | 17" | 1-9/16"  | 25"      | 18-1/4" | 74-5/8" | 71-1/4" | 92-9/16" | 1-1/4" X 16 | 22-3/4" | 64                | 1100          |
| 20         | 18" | 1-11/16" | 27-1/2"  | 20-1/4" | 74-5/8" | 67-3/8" | 94-3/8"  | 1-1/4" X 20 | 25"     | 64                | 1325          |
| 24         | 20" | 1-7/8"   | 32"      | 24-1/4" | 83-1/2" | 81-3/8" | 110-5/8" | 1-3/8" X 20 | 29-1/2" | 88                | 1900          |

| PARTS LIST |                          |   | PARTS LIST |               |  | PARTS LIST |                     |   |
|------------|--------------------------|---|------------|---------------|--|------------|---------------------|---|
| No.        | PART                     | MATERIAL                                  | No.        | PART          | MATERIAL   | No.        | PART                | MATERIAL  |
| 1          | EXEECO IS7               | Bronze ASTM B584 C83600                   | 12         | Hex Cap Screw | GR 2 ZN SAE J429 / 304SS ASTM 18-8SS   | 23         | Stem Nut            | Bronze ASTM B584 C87610 / Bronze ASTM B584 C87850 / Bronze ASTM B763 C99500 (NDZ) (14"-20") |
| 2          | Square Key               | GR 2 ZN SAE J429                          | 13         | Hex Nut       | ZN A307 Grade B / ASTM F593 S30400/S31600  | 24         | Wedge               | Ductile Iron ASTM A536 Grade 65-45-12   |
| 3          | OP Nut                   | Gray Iron ASTM A126 Class B               | 14         | Bushing       | ZN A307 Grade B / ASTM F593 S30400/S31600  |            | 25                  | Body-Flanged Type   |
| 4          | Output Sleeve            | Aluminum Bronze ASTM B505 C95800          | 15         | Yoke O-ring   | EPDM   | 26         | Scraper (24")       | Bronze ASTM B584 C83600   |
| 5          | Roll Pin                 | Stainless Steel                           | 16         | Stem          | 304SS ASTM A276 S30400 / 316SS ASTM A276 S31600 / Silicon Bronze "A" (Everdur) ASTM B98 C65500 | 27         | Roller (24")        | Bronze ASTM B584 C83600   |
| 6          | Yoke                     | Gray Iron ASTM A126 Class B               | 17         | Hex Cap Screw | ZN A307 Grade B / ASTM F593 S30400/S31600  | 28         | Pin (24")           | Stainless Steel AISI 303  |
| 7          | Stud                     | ASTM F593 S30400/S31600                   | 18         | Hex Nut       | ZN A307 Grade B / ASTM F593 S30400/S31600  | 29         | Hex Cap Screw       | ZN A307 Grade B / ASTM F593 S30400 / S31600   |
| 8          | Hex Nut                  | ZN A307 GRADE B / ASTM F593 S30400/S31600 | 19         | Pipe Plug     | 18-8SS   | 30         | Wedge Cap (18"-20") | Delrin  |
| 9          | Follower Plate (14"-16") | Gray Iron ASTM A126 Class B               | 20         | Cover         | Ductile Iron ASTM A536 65-45-12 ASTM B16 Alloy 306   | 31         | Track (24")         | Stainless Steel AISI 316  |
| 10         | Packing Gland            | Bronze ASTM B584 C83600                   | 21         | Cover O-Ring  | EPDM   |            |                     |   |
| 11         | Packing                  | Braided, Lubricated (Non-Asbestos) Fiber  | 22         | Stem O-Ring   | EPDM   |            |                     |   |