



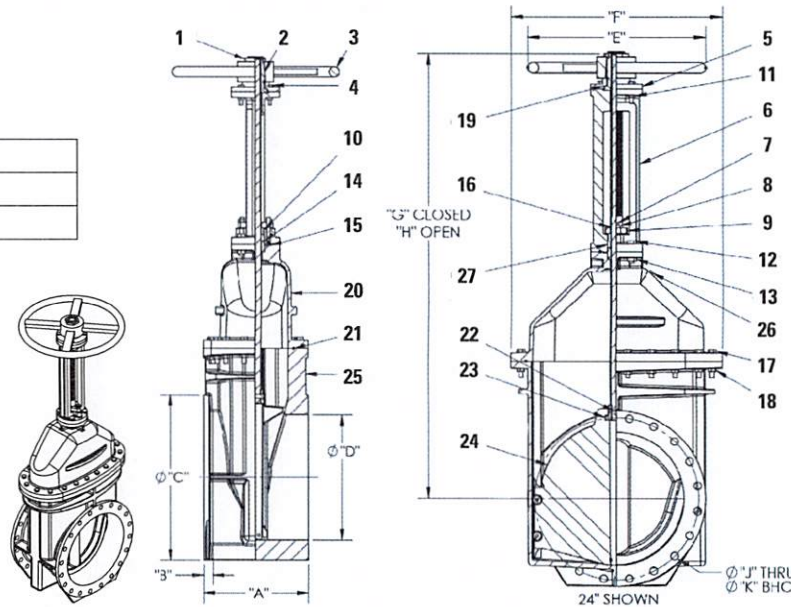
KENNEDY VALVE

# C515 OS&Y / FIG. 7068A RESILIENT SEATED GATE VALVE FLANGED ENDS SIZES 2" - 16"

DRAWING NO.- 33094 REV.- 1

DRAWN BY - ZMF

No.	DATE	ECN	REVISION
1	11/9/20	---	Published



DIMENSIONS												
SIZE	A	B	C	D	E	F	G	H	J	K	No. Turns to Open	Weight (lbs.)
2	7"	5/8"	6"	2"	6"	6"	13-3/32"	15-7/8"	5/8" x 4	4-3/4"	6-1/2	42.10
2-1/2	7-1/2"	11/16"	7"	2-1/2"	6"	7"	13-7/8"	16-3/8"	5/8" x 4	5-1/2"	8	52.00
3	8"	3/4"	7-1/2"	3"	10"	7-1/2"	15-5/8"	18-7/8"	5/8" x 4	6"	10	67.14
4	9"	15/16"	9"	4-1/4"	10"	9"	18-1/4"	22-3/4"	5/8" x 4	7-1/2"	13-1/2	91.85
6	10-1/2"	1"	11"	6-1/4"	12"	11-3/8"	23-3/4"	30-1/8"	3/4" x 8	9-1/2"	19-1/2	140.67
8	11-1/2"	1-1/8"	13-1/2"	8-1/4"	14"	13-1/2"	29-1/4"	37-3/4"	3/4" x 8	11-3/4"	25-1/2	212.60
10	13"	1-3/16"	16"	10-1/4"	18"	16"	35-3/8"	45-3/4"	7/8" x 12	14-1/4"	31-1/2	368.48
12	14"	1-1/4"	19"	12-1/4"	18"	19"	40-5/8"	53-1/8"	7/8" x 12	17"	37-3/4	479.41
14	15"	1-3/8"	21-1/16"	14-1/4"	22"	26-11/16"	59-3/4"	74-3/4"	1" x 12	18-3/4"	52	670.00
16	16"	1-7/16"	23-1/2"	16-1/4"	22"	26-11/16"	59-3/4"	74-3/4"	1" x 16	21-1/4"	52	735.00

PARTS LIST		
SIZE	DESCRIPTION	MATERIAL
1	Hold Down Nut	Bronze ASTM B584 C87850 / C57610 (2"-12")
		Bronze ASTM B584 C83600 (14"-16")
2	Yoke Nut	Bronze ASTM B584 C86700 (2"-12")
		Bronze ASTM B584 C83600 (14"-16")
3	Handwheel	Ductile Iron ASTM A536 70-50-05 (2"-12")
		Gray Iron ASTM A126 Class B (14"-16")
4	Hex Cap Screw	ZN A307 Grade B / ASTM F593 S30400 / S31600
5	Adapter (14"-16")	Gray Iron ASTM A126 Class B
6	Yoke	Ductile Iron ASTM A536 70-50-05 (2"-12")
		Gray Iron ASTM A126 Class B (14"-16")
7	Stud (14"-16")	ASTM F593 S30400 / S31600
8	Hex Nut	ZN A307 Grade B / ASTM F593 S30400 / S31600
9	Follower Plate (14"-16")	Gray Iron ASTM A126 Class B
10	Packing Gland	Ductile Iron ASTM A536 70-50-05 (2"-12")
		Bronze ASTM B584 C83600 (14"-16")
11	Hex Nut	ZN A307 Grade B / ASTM F593 S30400 / S31600
12	Hex Cap Screw	GR 2 ZN SAE J429 / 304SS ASTM 18-8SS
13	Hex Nut	ZN A307 Grade B / ASTM F593 S30400 / S31600
14	Bushing (14-16")	ZN A307 Grade B / ASTM F593 S30400 / S31600
15	Yoke O-Ring	Buna-N ASTM D2000 (2"-12")
		EPDM (14"-16")
16	Stem	304SS ASTM A276 S30400 / 316SS ASTM A276 S31600 / ECO Brass ASTM B371 C69300 / Silicon Bronze "A" (Everdur) ASTM B98 C65500 (2"-12")
		304SS ASTM A276 S30400 / 316SS ASTM A276 S31600 / Silicon Bronze "A" (Everdur) ASTM B98 C65500 (14"-16")
17	Hex Cap Screw	ZN A307 Grade B / ASTM F593 S30400 / S31600
18	Hex Nut	ZN A307 Grade B / ASTM F593 S30400 / S31600
19	Flat Washer	ZN A307 Grade B / ASTM F593 S30400 / S31600
20	Cover	Ductile Iron ASTM A536 70-50-05 (2"-12")
		Ductile Iron ASTM A536 65-45-12 (14"-16")
21	Cover O-Ring	Buna-N ASTM D2000 (2"-12")
		EPDM (14"-16")
22	Stem O-Ring	Buna-N ASTM D2000 (2"-12")
		EPDM (14"-16")
23	Stem Nut	Bronze ASTM B584 CDA 844 (2"-12")
		Bronze ASTM B584 C87610 / Bronze ASTM B584 C87850 / Bronze ASTM B763 C99500 (NDZ) (14"-16")
24	Wedge	Ductile Iron ASTM A584 70-50-05 & EPDM (2"-12")
		Ductile Iron ASTM A536 65-45-12 & EPDM (14"-16")
25	Body-Flanged Type	Ductile Iron ASTM A584 70-50-05 (2"-12")
		Ductile Iron ASTM A536 65-45-12 (14"-16")
26	Pipe Plug (14"-16")	18-8SS
27	Packing	Braided, Lubricated (Non-Asbestos)