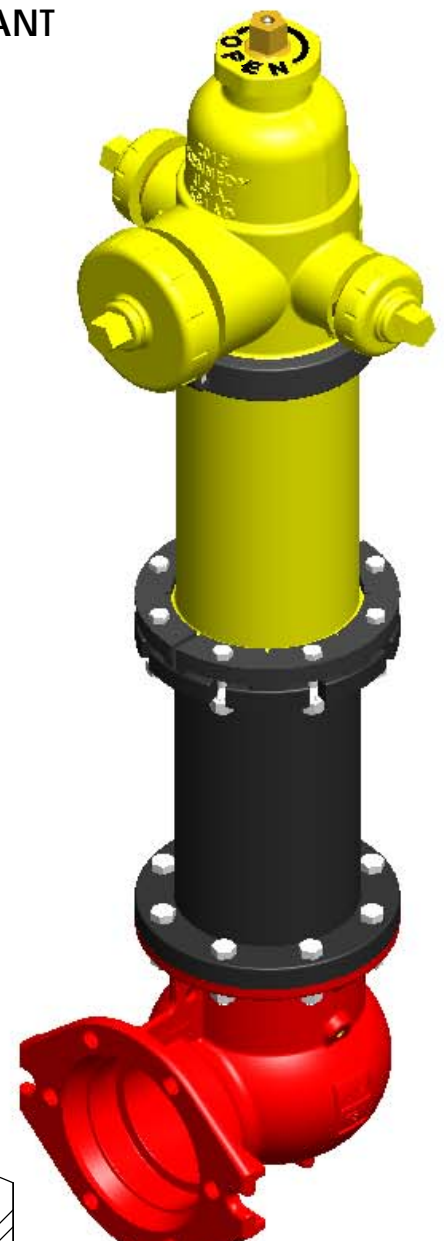


# KENNEDY VALVE GUARDIAN HYDRANT

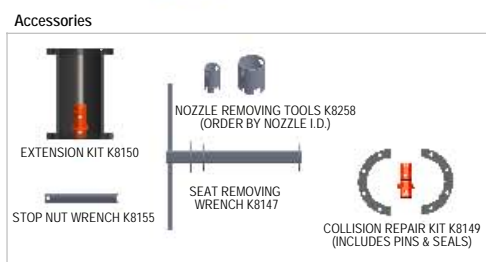
## MEETS AWWA C-502

FRONT	BACK
YEAR	SIZE
KENNEDY	K.V.
U.S.A	MONOGRAM
TYPE	ELMIRA, NY
	AWWA
	350 CWP

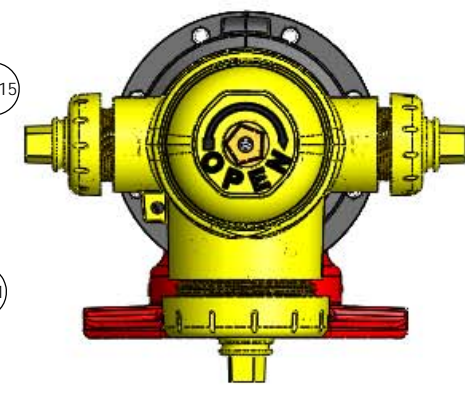
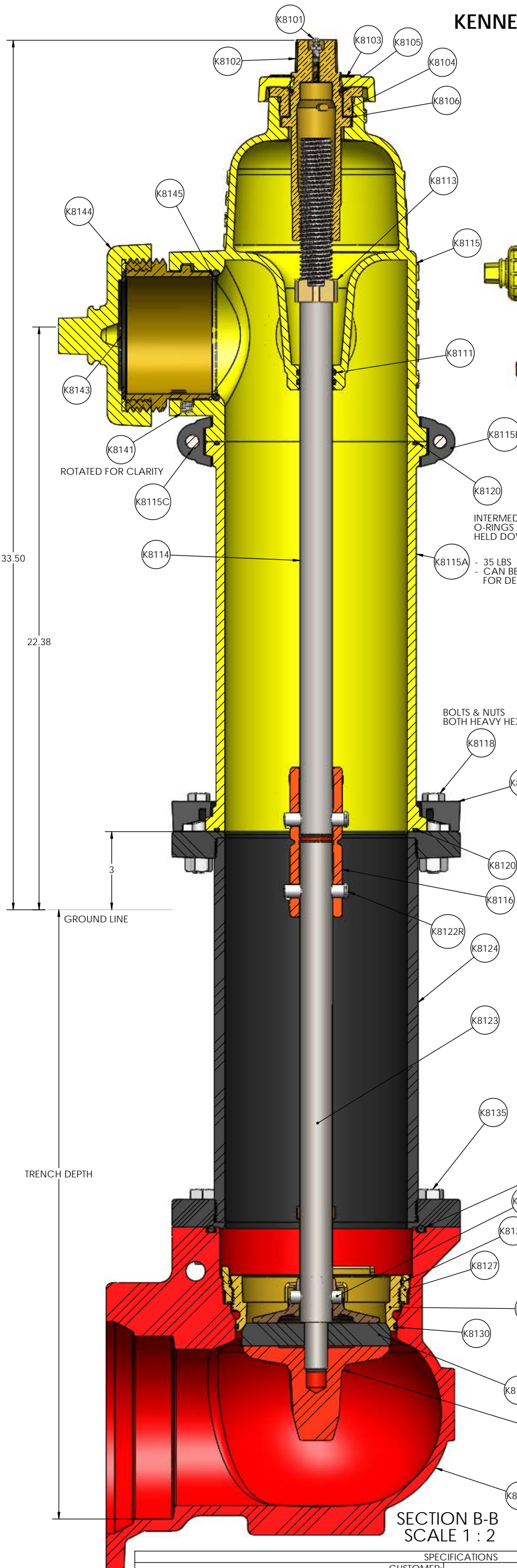
THE MODEL K81DD WILL ALSO HAVE UL & FM MARKINGS



NOZZLE SECTION ASSY - 73 LBS

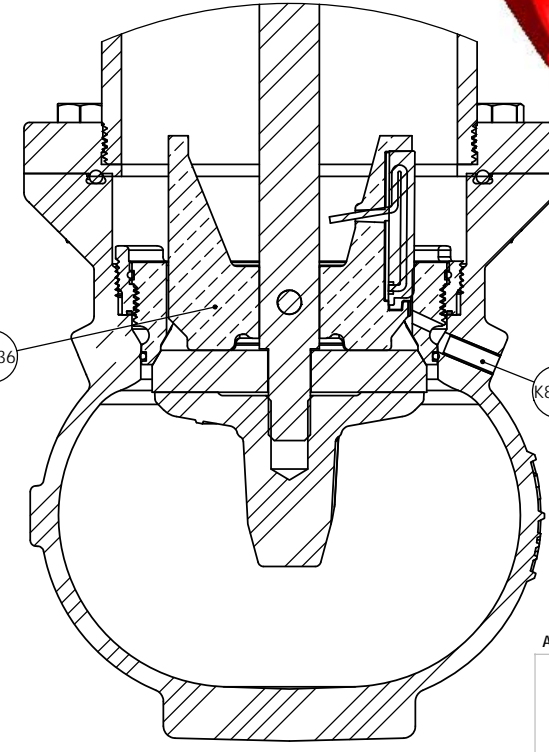


Accessories



INTERMEDIATE TOP AND BOTTOM O-RINGS ARE MECHANICALLY HELD DOVETAIL GROOVES

K8115A - 35 LBS  
- CAN BE PROVIDED LONGER FOR DEEP SNOW



DETAIL SCALE 1 : 2

SECTION B-B SCALE 1 : 2

Item No.	Description	Material	ASTM SPEC
K8101	ALEMITE FITTING	STAINLESS STEEL	A276 (304)
+ K8102	OPERATING STEM NUT	BRONZE	B584 C8440/AWWA GRADE A
K8103	DRY SHIELD	CAST IRON	A126 CLASS B
K8104	STEM LOCK NUT	BRONZE	B584 C8440/AWWA GRADE A
+ K8105	O-RING	RUBBER	D2000
+ K8106	THRUST WASHER	NYLATRON GS	MIL LP-410
+ K8111	O-RING	BUNA-N (SYN. RUBBER)	D2000
+ K8112	O-RING	BUNA-N (SYN. RUBBER)	D2000
K8113	STOP NUT	BRASS	B16 C36000
K8114	UPPER STEM	STAINLESS STEEL	A276 (304)
K8115	UPPER BARRELW/ INTEGRATED DOME	DUCTILE IRON	ASTM 536 70-50-5
K8115A	UPPER BARREL INTERMEDIATE	DUCTILE IRON	ASTM 536 70-50-5
K8115B	INTERMEDIATE RETAINING RING	DUCTILE IRON	ASTM 536 70-50-5
K8115C	INTERMEDIATE RETAINING RING SOCKET HEAD BOLTS	STAINLESS STEEL	F593C
K8116	STEMBREAKER COUPLING	CAST IRON	A126 CLASS B
K8118	BOLTS & NUTS - BOTH HEAVY HEX	STEEL (ZINC PLATED)	A307/SAE GRADE 2
K8119	BREAKING RING	CAST IRON	A126 CLASS B
K8120	O-RING	BUNA-N (SYN. RUBBER)	D2000
K8122R	COUPLING PINS	STAINLESS STEEL	302 HO
K8123	LOWER STEM	STAINLESS STEEL	A276 (304)
K8124	LOWER BARREL	DUCTILE IRON	ANSI/AWWA C151/A21.5
+ K8125	ELBOW O-RING	BUNA-N (SYN. RUBBER)	D2000
+ K8126	O-RING	BUNA-N (SYN. RUBBER)	D2000
+ K8127	SEAT RING INSERT	BRONZE	B806 C95400 or B584 C89833
+ K8128	SEAT RING	BRONZE	B584 C95400 or B584 C89833
+ K8129	DRAIN TUBE	BRASS	B135 C23000
+ K8130	O-RING	BUNA-N (SYN. RUBBER)	D2000
+ K8131	MAIN VALVE	EPDM W/STL. INSERT	D2000
K8132	BOTTOM PLATE	CAST IRON	A126 CLASS B
K8133	DRAIN VALVE PIN	STAINLESS STEEL	410/416
K8134	ELBOW	CAST IRON	A126 CLASS B
K8135	ELBOW NUTS AND BOLTS	STAINLESS STEEL	F593C/F594
K8136	DRAIN VALVE	BRONZE	B806 C95400/95500
+ K8137	DRAIN VALVE FACING W/ INSERT	BUNA-N W/ STAINLESS STEEL	D2000/A276 (304)
K8139	NOZZLE CAP CHAIN	STEEL	A108
K8140	NOZZLE CHAIN BAND	STEEL	A108
+ K8141	NOZZLE RETAINING SCREW	STAINLESS STEEL	A276 (304)
# K8142	NOZZLE	BRONZE	B806 C95400 or B584 C89833
# K8143	NOZZLE CAP GASKET	NEOPRENE	D2000
+ K8144	NOZZLE CAP	CAST IRON	A126 CLASS B
+ K8145	O-RING	BUNA-N (SYN. RUBBER)	D2000
+ K8146	ALLEN HEAD SET SCREW	STAINLESS STEEL	A276 (410)
K8147	SEAT REMOVAL WRENCH		
K8148	NOZZLE REMOVAL TOOLS		
+ K8149	COLLISION REPAIR KIT		
K8150	GRADE EXTENSION KIT		

\* DENOTES THAT THE PART IS AVAILABLE ONLY AS PART OF AN ASSEMBLY  
# MUST SPECIFY TYPE OF NOZZLE, HOSE OR STEAMER  
+ RECOMMENDED SPARE PARTS

SPECIFICATIONS	
CUSTOMER:	
SPEC:	
# OF TURNS/DIRECTION:	15-1/2 -DIRECTION PER ORDER
CAP & OPERATING NUT SHAPE:	PER ORDER
HOSE NOZZLE THRDS:	PER ORDER
STEAMER NOZZLE THRDS:	PER ORDER
TRENCH DEPTH:	PER ORDER
SIZE & TYPE OF PIP CONNECTION:	PER ORDER
PAINT (ABOVE GROUND-EXTERIOR):	PER ORDER
PAINT (ABOVE GROUND- INTERIOR):	PER ORDER
PAINT (BELOW GROUND-EXTERIOR):	PER ORDER
PAINT (BELOW GROUND- INTERIOR):	PER ORDER
OTHER:	
STENCIL:	PER ORDER

UNLESS OTHERWISE SPECIFIED: CASTING DIM: 0'-4" +/- 1/32" 6"-8" +/- 3/64" 8"-12" +/- 1/16" 12"-18" +/- 3/32" 18"-UP +/- 1/8" RADI 1/16" CHAMF 1/2"	DRAWN: SH 6/4/2014 CHECKED: ML 6/4/2014 APPROVED: PK 6/4/2014	NAME: Kennedy Valve DATE: 6/4/2014 DIVISION: Division of McWane, Inc. 1021 EAST WATER STREET, ELMIRA, NEW YORK 14901
MATERIALS: Weight: LBS	DO NOT SCALE DRAWING	TITLE: 5-1/4" K81AD/K81DD ASSY DRY TOP WITH BRZ TO BRZ SEAT
MACHINING DIM: DUAL DIM (INCHES/MILLIM) FRACTIONAL ± 1/64 ANGULAR ± 5 RADI ± 1/32 TWO PLACE DECIMAL ± .005 THREE PLACE DECIMAL ± .0005	Weight: LBS	SIZE: 5-1/4" PART NO.: 80798 DWG. NO.: 80798 REV: 1
FINISH: 125 RMS		PROPRIETARY AND CONFIDENTIAL SHEET 1 OF 1