

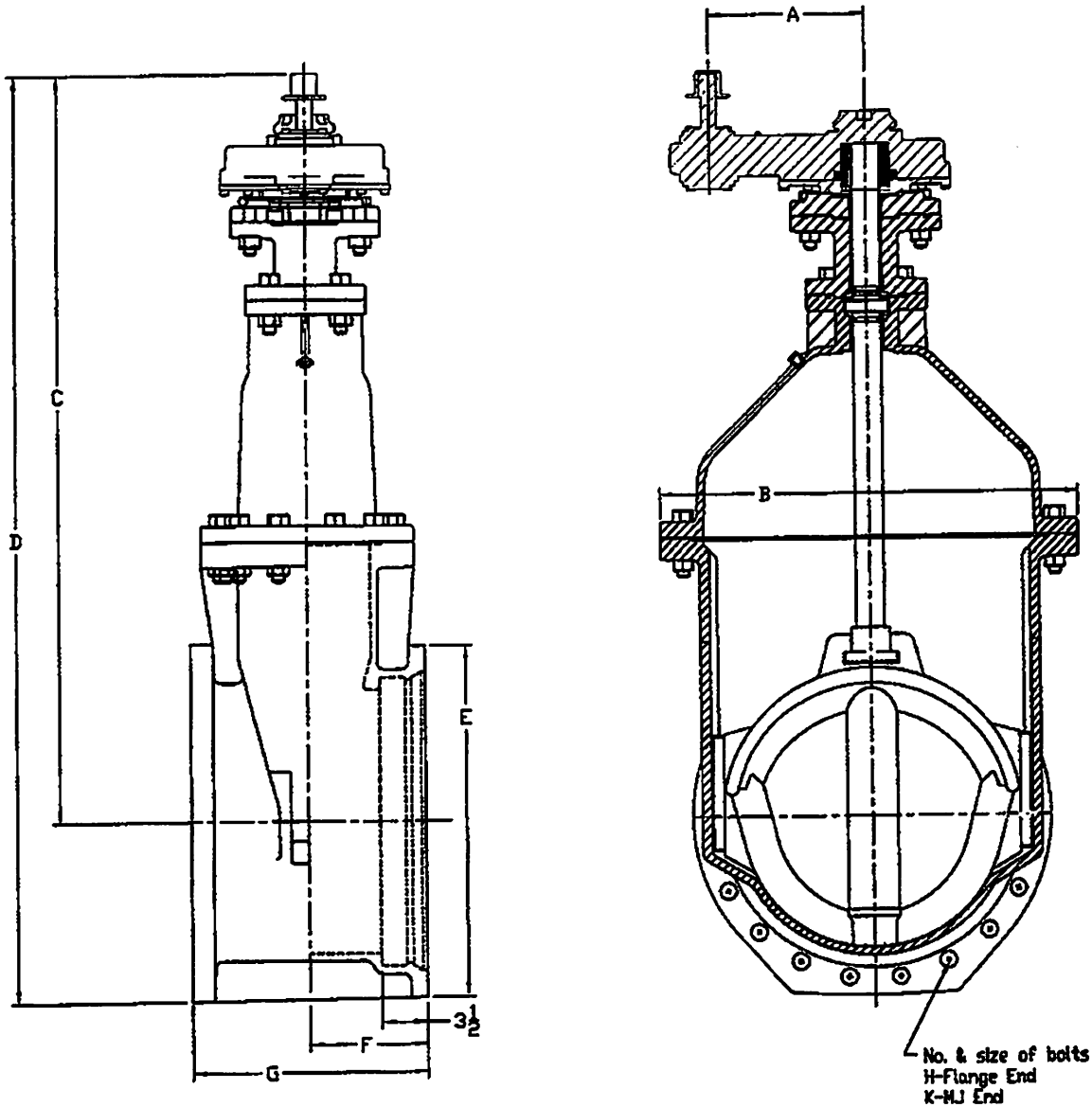
Complies with applicable requirements of AWWA C515

**14"-24" R/W VALVE MJ X FLANGE END
SPUR GEAR GENERAL DIMENSIONS**

KENNEDY VALVE

MODEL KS-RW/2638

7572AMSS



VALVE SIZE	A	B	C	D	E	F	G	H	K
14	8	26 11/16	52 1/8	62 1/2	20 1/4	8 1/2	17	12-1 1/8	10-3/4
16	8	26 11/16	51 1/8	62 1/2	22 1/2	8 1/2	16 1/2	16-1	12-3/4
18	12	32 1/4	58	70 1/2	24 3/4	9 3/8	18 3/8	16-1 1/8	12-3/4
20	12	32 1/4	57	70 1/2	27	9 5/32	18	20-1 1/8	14-3/4
*24	12	36 1/2	62 1/8	77 3/8	31 1/2	9 1/2	20 1/4	20-1 1/4	16-3/4

*30" AND LARGER SIZES REQUIRE GEARING

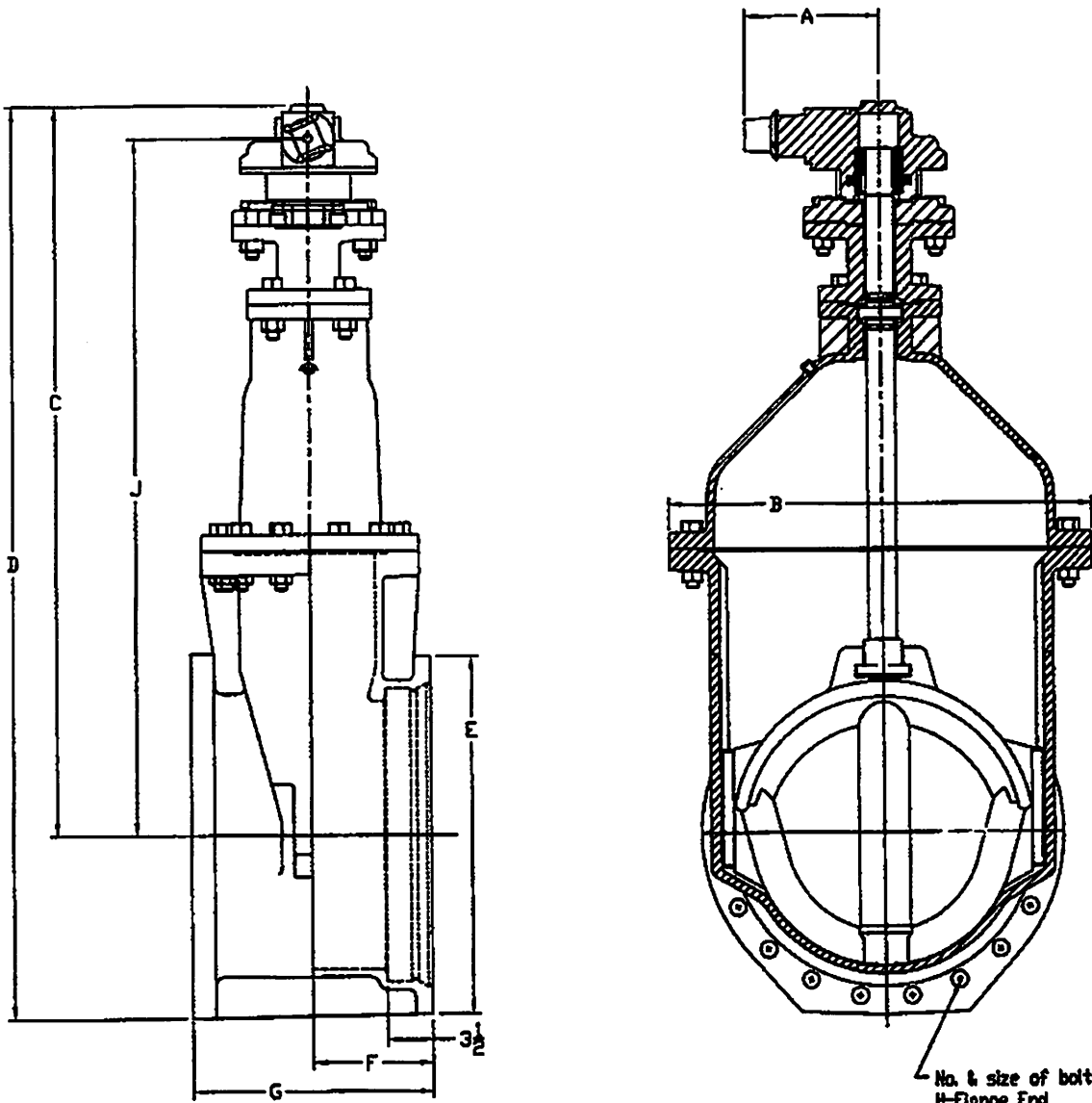
Complies
AWWA C515

**14"-24" R/W VALVE MJ X FLANGE END
BEVEL GEAR GENERAL DIMENSIONS**

KENNEDY VALVE

MODEL KS-RW/2638

7572BMSS



No. & size of bolts
H-Flange End
K-MJ End

VALVE SIZE	A	B	C	D	E	F	G	H	J	K
14	9 1/8	26 11/16	48 5/8	59 1/2	20 1/4	8 1/2	17	12-1 1/8	46 3/8	10-3/4
16	9 1/8	26 11/16	47 5/8	59 1/2	22 1/2	8 1/2	16 1/2	16-1	45 3/8	12-3/4
*18	10 1/8	32 1/4	55 3/4	68 3/4	24 3/4	9 3/8	18 3/8	16-1 1/8	53 3/4	12-3/4
*20	10 1/8	32 1/4	54 3/4	68 3/4	27	9 5/32	18	20-1 1/8	52 3/4	14-3/4
**24	10 1/8	36 1/2	59 7/8	75 1/8	31 1/2	9 1/2	20 1/4	20-1 1/4	57 3/8	16-3/4

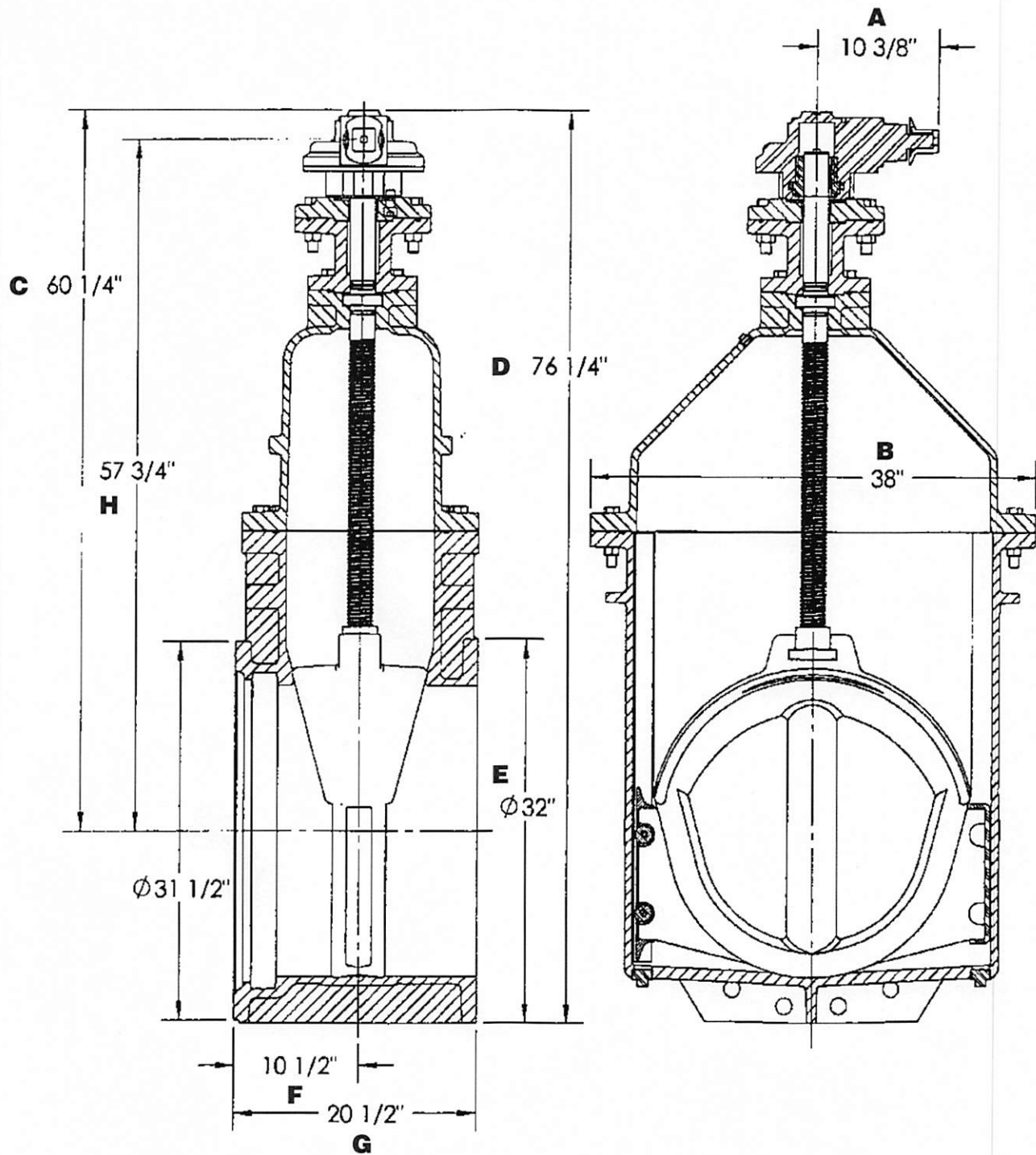
*30" AND LARGER SIZES REQUIRE GEARING
**24" FURNISHED WITH ROLLERS, TRACKS, AND SCRAPERS.(see dimensions on page 6-15 for new installation)

**24" R/W RTS BEVEL GEAR MJ X
FLANGE ENDS GENERAL DIMENSIONS**

KENNEDY VALVE

MODEL KS-RW/2638

7572BMSS



24" R/W RTS SPUR GEAR MJ X
FLANGE ENDS GENERAL DIMENSIONS

KENNEDY VALVE

MODEL KS-RW/2638

7572AMSS

