

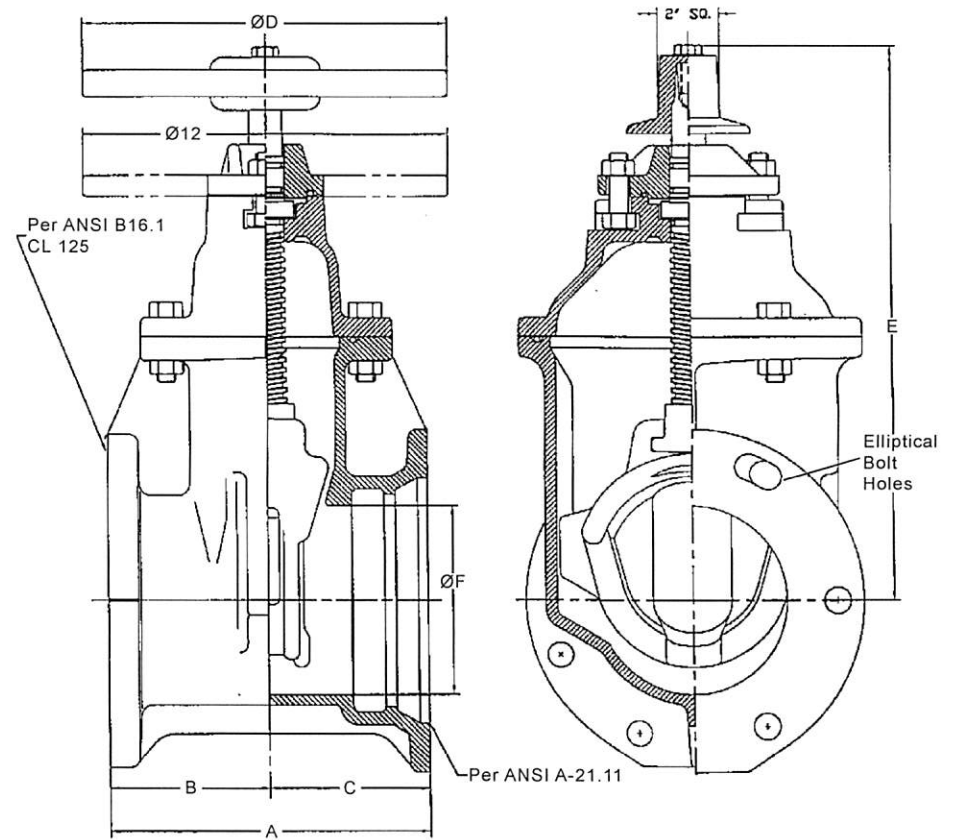


KENNEDY VALVE

# C515 KS RW NON-RISING RESILIENT SEATED GATE VALVE MECHANICAL JOINT x FLANGED ENDS SIZES 3" - 12"

Fig. 7572SS

Fig. 7702SS (with post plate)



Elliptical bolt hole design eliminates the needs for anti-rotational bolts.

DIMENSIONS							
SIZE	A	B	C	D	E	F	Weight (lbs.)
3	8-1/4"	4"	4-1/4"	10"	12-3/8"	3"	60
4	9-1/4"	4-1/2"	4-3/4"	10"	14-3/4"	4-1/4"	79
6	10-1/2"	5-1/4"	5-1/4"	12"	19"	6-1/4"	134
8	12-5/16"	5-3/4"	6-9/16"	14"	22-1/2"	8-1/4"	213
10	14-1/4"	6-1/2"	7-3/4"	18"	26-1/2"	10-1/4"	365
12	15"	7"	8"	18"	30"	12-1/4"	497

Note: Add 16 lbs. for Indicator Post Plate