

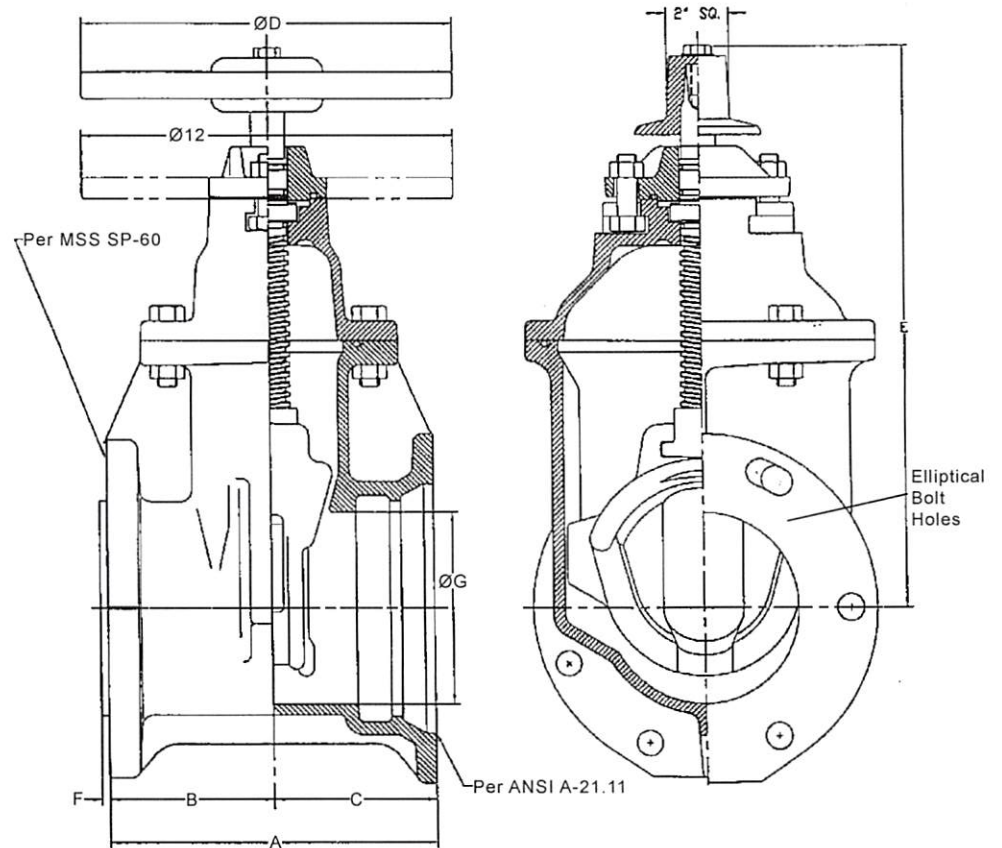


KENNEDY VALVE

C515 KS RW NON-RISING RESILIENT SEATED GATE VALVE MECHANICAL JOINT x FLANGED TAP ENDS SIZES 3" - 12"

Fig. 7950SS

Fig. 7950PSS (with post plate)



Elliptical bolt hole design eliminates the needs for anti-rotational bolts.

DIMENSIONS								
SIZE	A	B	C	D	E	F	G	Weight (lbs.)
4	9-1/4"	4-1/2"	4-3/4"	10"	14-3/4"	3/16"	4-1/4"	92
6	10-1/2"	5-1/4"	5-1/4"	12"	19"	1/4"	6-1/4"	144
8	13-1/4"	5-3/4"	7-1/2"	14"	22-1/2"	1/4"	8-1/4"	224
10	14-1/4"	6-1/2"	7-3/4"	18"	26-1/2"	1/4"	10-1/4"	392
12	15"	7"	8"	18"	30"	1/4"	12-1/4"	527

Note: Add 16 lbs. for Indicator Post Plate