

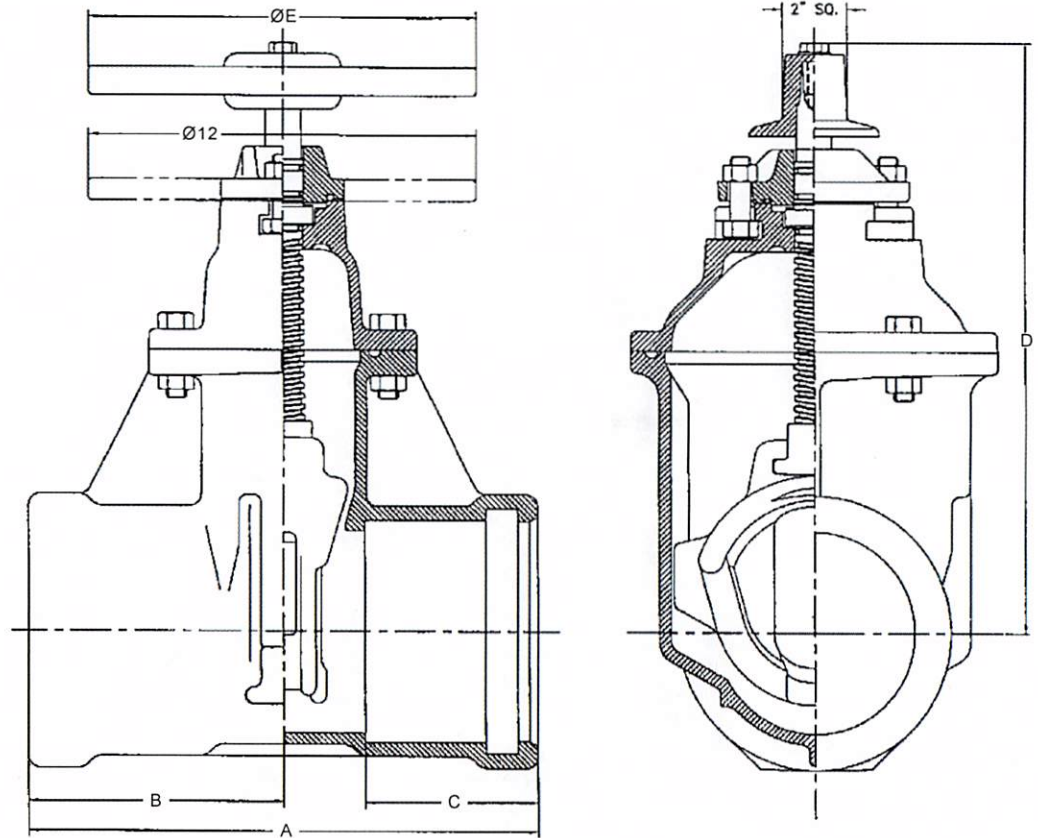


KENNEDY VALVE

C509 KS FW RESILIENT SEATED GATE VALVE PVC ENDS SIZES 2" - 8"

Fig. 8597SS

Fig. 8597PSS (with post plate, 3"-8")



DIMENSIONS						
SIZE	A	B	C	D	E	Weight (lbs.)
2	10"	5"	3-1/2"	10-7/8"	7-1/4"	35
2-1/2	10-3/4"	5-3/8"	3-3/4"	11-3/8"	7-1/4"	44
3	11-5/8"	5-13/16"	4-1/6"	12-3/8"	10"	53
4	13-1/2"	6-3/4"	4-1/2"	14-3/4"	10"	84
6	15-3/4"	7-7/8"	5-3/8"	19"	12"	137
8	16-1/4"	8-1/8"	5-3/8"	22-1/2"	14"	223

Note: Add 16 lbs. for Indicator Post Plate