



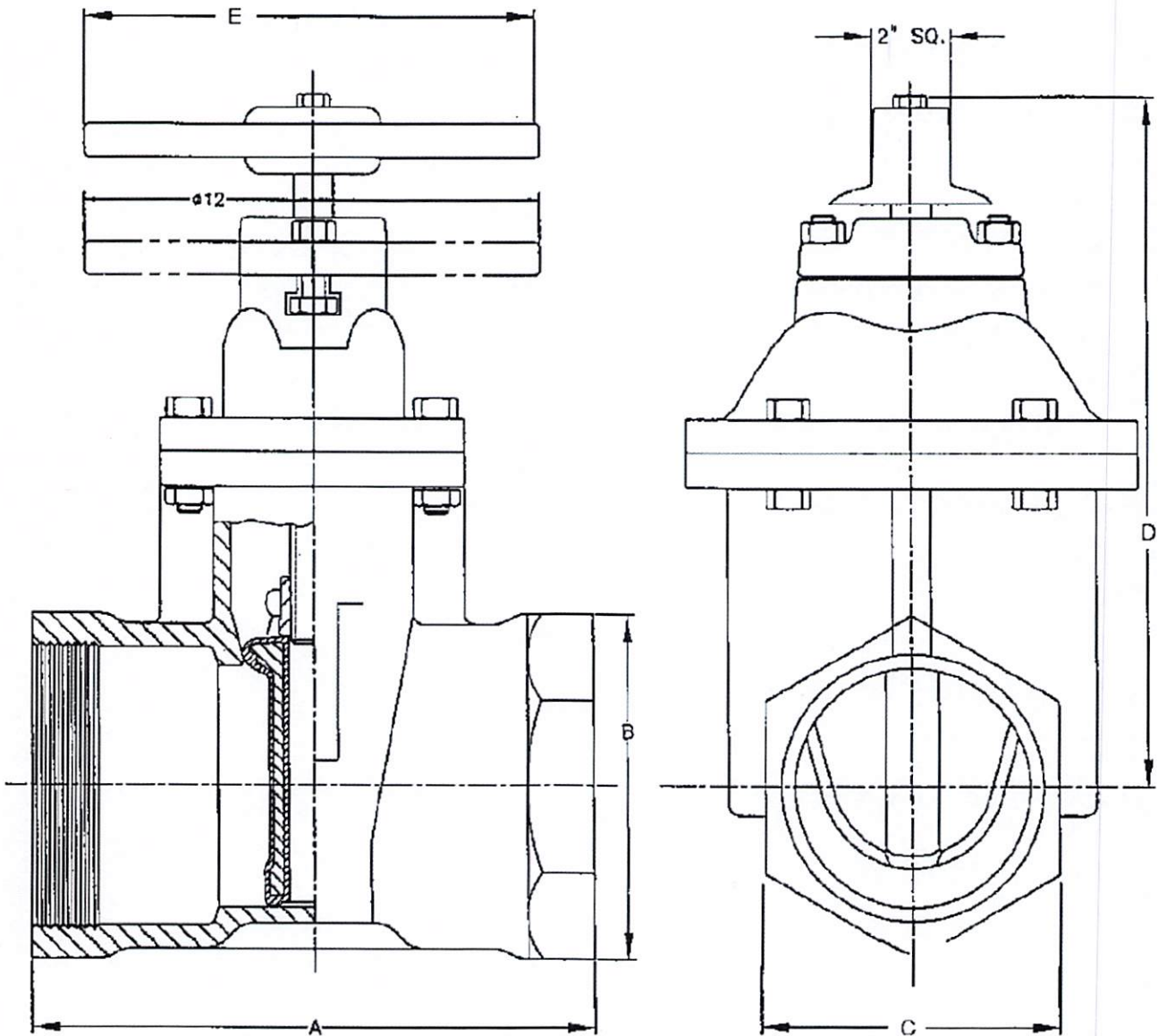
KENNEDY VALVE

2"-3" Resilient Seated Gate Valve KS RW Non-Rising C515 Threaded Ends General Dimensions



Fig. 7057SS
Fig. 7057WSS (with Handwheel)

AWWA



VALVE SIZE	A	B	C	D	E
2	5 1/4	4 1/8	3 9/16	10 7/8	7 1/4
2 1/2	7	5 3/8	4 1/2	11 3/8	7 1/4
3	7 1/8	5 3/8	4 7/8	12 3/8	10