

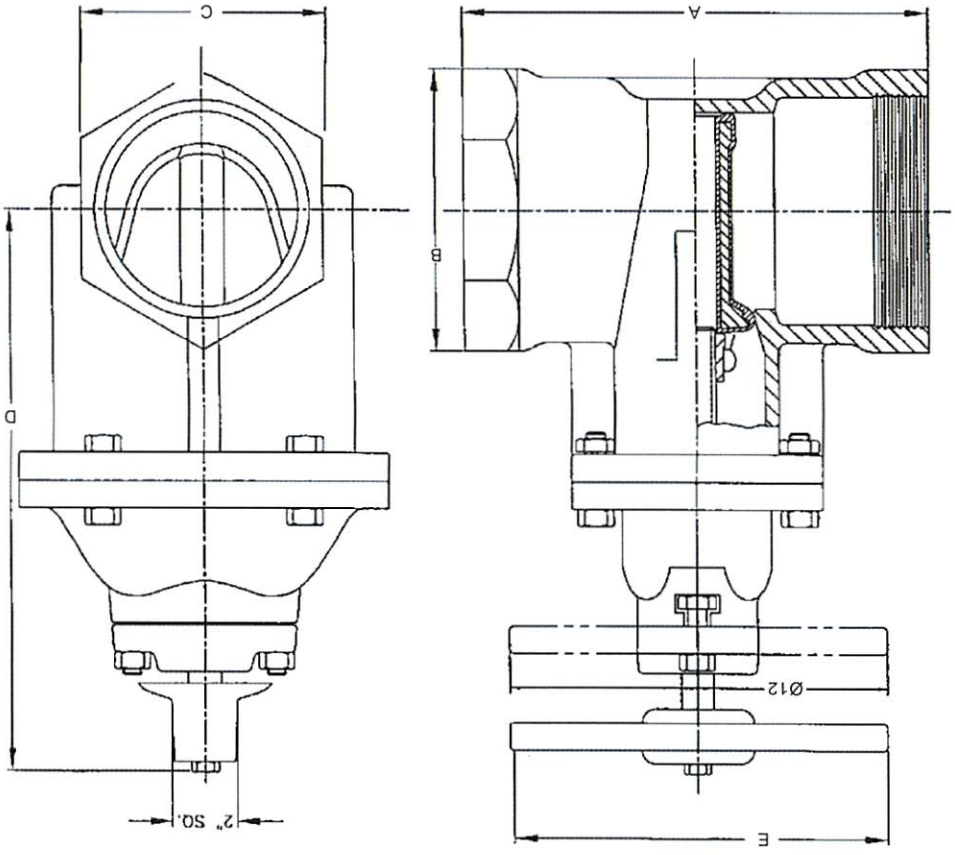


KENNEDY VALVE

C509 KS FW NON-RISING RESILIENT SEATED GATE VALVE THREADED ENDS SIZES 2" - 3"

Fig. 8057SS (with 2" nut)

Fig. 8057WSS (with handwheel)



DIMENSIONS						
SIZE	A	B	C	D	E	Weight (lbs.)
2	5-1/4"	4-1/8"	3-9/16"	10-7/8"	7-1/4"	20
2-1/2	7"	5-3/16"	4-1/2"	11-3/8"	7-1/4"	40
3	7-1/8"	5-5/8"	4-7/8"	12-3/8"	10"	47

Note: Add 16 lbs. for Indicator Post Plate