



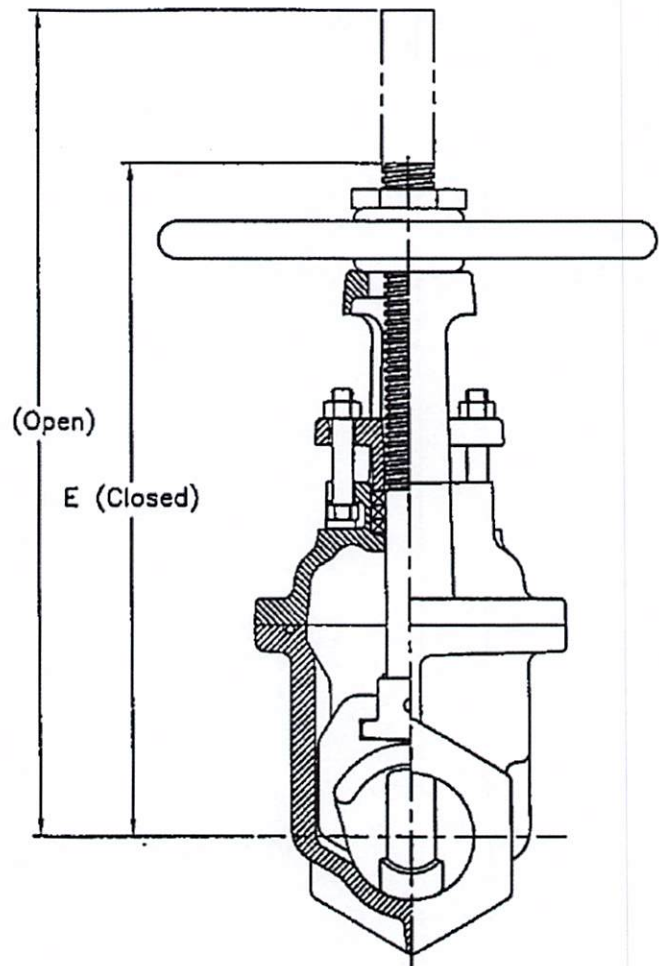
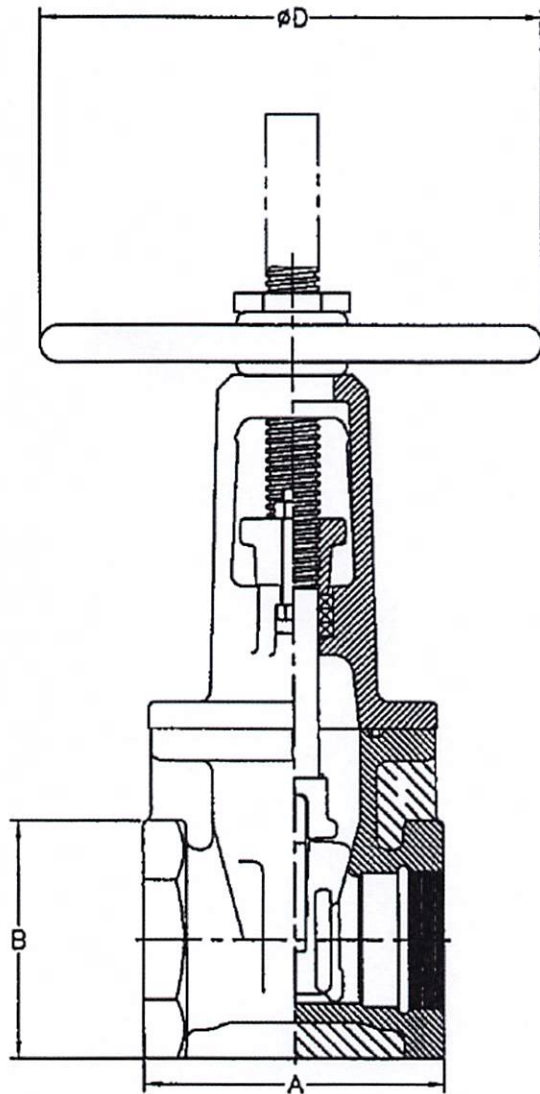
KENNEDY VALVE

# 2"-3" Resilient Seated Gate Valve KS RW OS&Y C515 Threaded Ends General Dimensions



Fig. 7067

AWWA



VALVE SIZE	A	B	D	E	F	WEIGHT
2	5 1/4	4 1/8	7 1/4	10	12	32
2 1/2	7	5 3/16	7 1/4	13 7/8	16 3/8	40
3	7 1/2	5 3/16	10	15 3/8	18 7/8	52