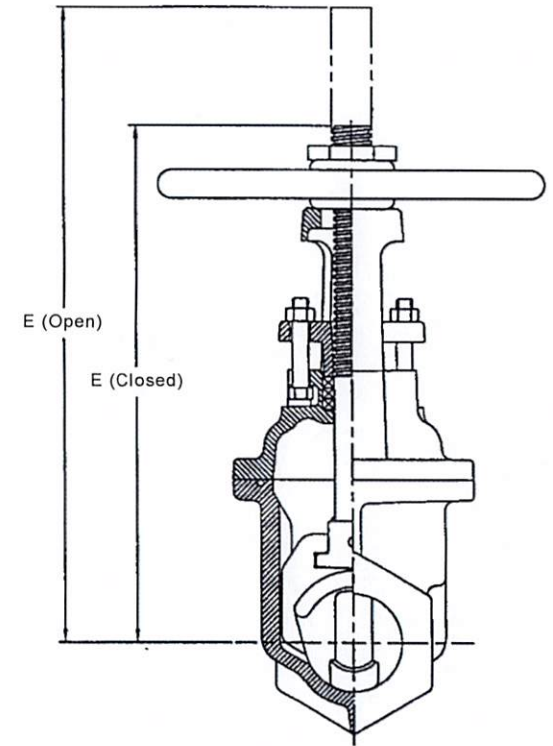
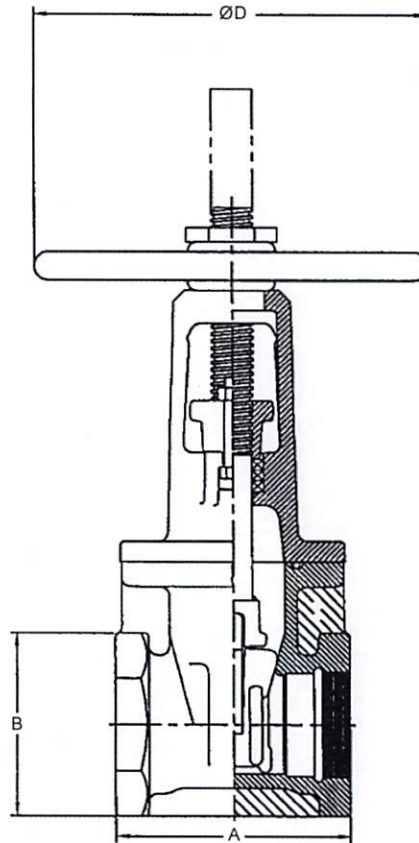




KENNEDY VALVE

**C509 KS FW OS&Y  
RESILIENT SEATED GATE VALVE  
THREADED ENDS  
SIZES 2" - 3"**

Fig. 8067



DIMENSIONS						
SIZE	A	B	D	E	F	Weight (lbs.)
2	5-1/4"	4-1/8"	7-1/4"	10"	12"	N/A
2-1/2	7"	5-3/16"	7-1/4"	13-7/8"	16-3/8"	40
3	7-1/2"	5-3/16"	10"	15-5/8"	18-7/8"	50